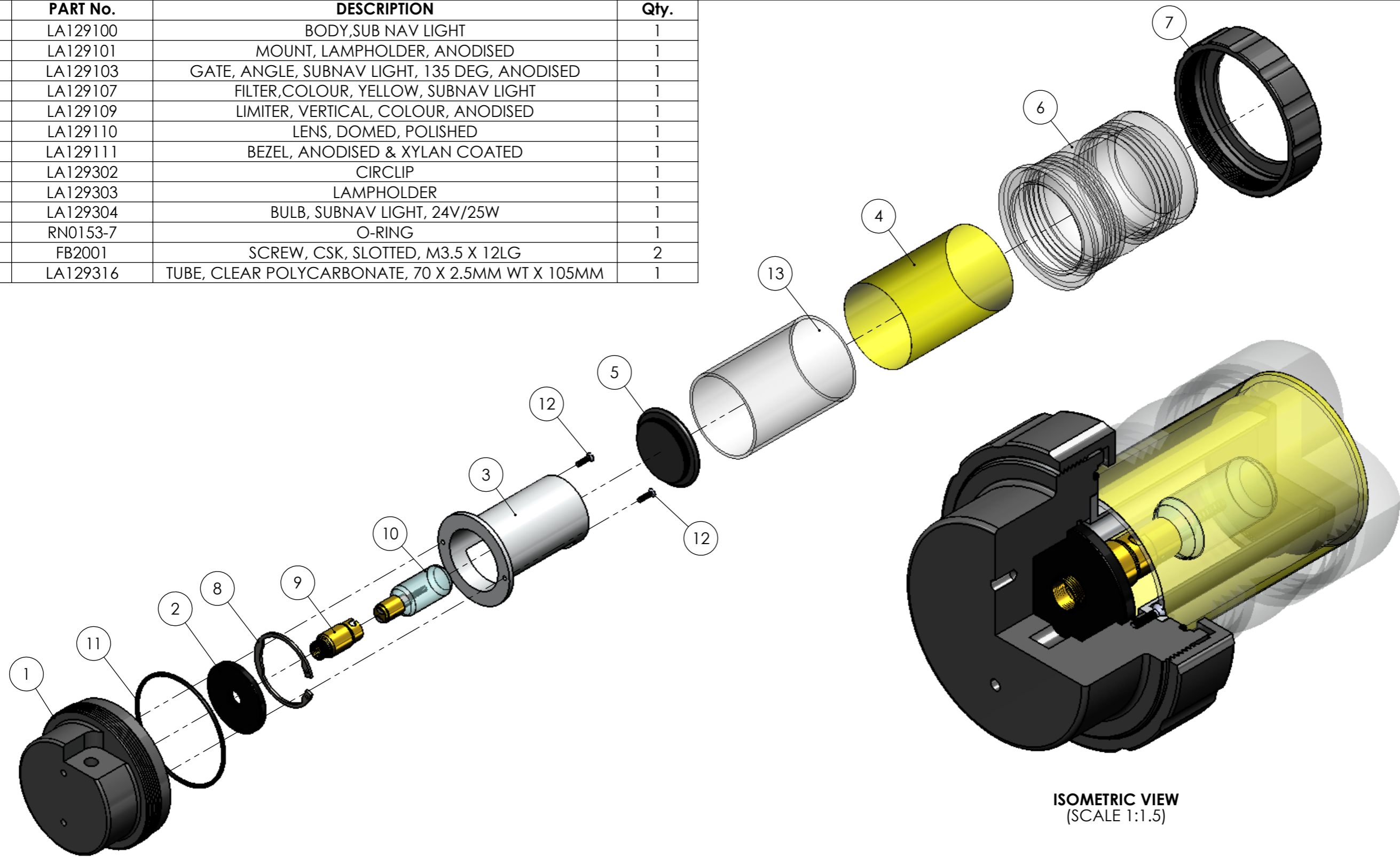




ITEM	PART No.	DESCRIPTION	Qty.
1	LA129100	BODY,SUB NAV LIGHT	1
2	LA129101	MOUNT, LAMPHOLDER, ANODISED	1
3	LA129103	GATE, ANGLE, SUBNAV LIGHT, 135 DEG, ANODISED	1
4	LA129107	FILTER, COLOUR, YELLOW, SUBNAV LIGHT	1
5	LA129109	LIMITER, VERTICAL, COLOUR, ANODISED	1
6	LA129110	LENS, DOMED, POLISHED	1
7	LA129111	BEZEL, ANODISED & XYLAN COATED	1
8	LA129302	CIRCLIP	1
9	LA129303	LAMPHOLDER	1
10	LA129304	BULB, SUBNAV LIGHT, 24V/25W	1
11	RN0153-7	O-RING	1
12	FB2001	SCREW, CSK, SLOTTED, M3.5 X 12LG	2
13	LA129316	TUBE, CLEAR POLYCARBONATE, 70 X 2.5MM WT X 105MM	1



ISOMETRIC VIEW
(SCALE 1:1.5)

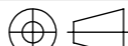
DIVEX OWNS THE COPYRIGHT OF THIS DOCUMENT AND ANY DESIGN RIGHT HEREIN. IT IS SUPPLIED IN CONFIDENCE AND MUST NOT BE USED FOR ANY PURPOSE OTHER THAN THAT FOR WHICH IT IS SUPPLIED AND MUST NOT BE REPRODUCED WITHOUT PERMISSION IN WRITING FROM THE OWNERS.

NOTES
EARTH POINT ON LAMPHOLDER 

 DENOTES CHANGES MADE AT THIS REVISION

ALL DIMENSIONS SHOWN ARE IN MM (UOS)
ALL DIMENSIONS BEFORE PLATING (UOS)
REMOVE ALL SHARP EDGES AND BURRS

DIMENSIONAL TOLERANCES			
MACHINING		FABRICATION	
NO DECIMAL PLACES	±1.0	SIZE >0 <100	±0.5
ONE DECIMAL PLACE	±0.2	SIZE >100 <500	±1.5
TWO DECIMAL PLACE	±0.05	SIZE >500	±3.0
ANGULAR TOLERANCE	±0.5°	ANGULAR TOLERANCE	±0.5°

MATERIAL	SEE PARTS LIST
FINISH	N/A
 THIRD ANGLE PROJECTION	

REV	DESCRIPTION	ECN No.	BY	DATE	AUTH. BY
R06					
R05					
R04					
R03					
R02	FB694 REMOVED & NOTES ADDED	15396	MJ	18/01/13	SC
R01	ITEM 13 AND 14 ADDED. QTY. OF 1 CHANGED	14157	JJM	08/08/11	CST
R00	ISSUED FOR MANUFACTURE		SR	11/04/11	SW

TITLE		DRAWING No.		REV
LIGHT, NAVIGATION, TOWING, 135, YELLOW		LA12916S1		R02
PART No.	PRODUCT / PROJECT No.			
LA129AF	AQUABEAM			
SIZE	SCALE	SHEET	OF	
A3	1:3 UOS	1	1	



DIVEX LIMITED
ENTERPRISE DRIVE
WESTHILL
ABERDEEN
AB32 6TQ
UNITED KINGDOM
Tel : +44(0)1224 740145
Fax : +44(0)1224 740172
email : info@divexglobal.com
www.divexglobal.com