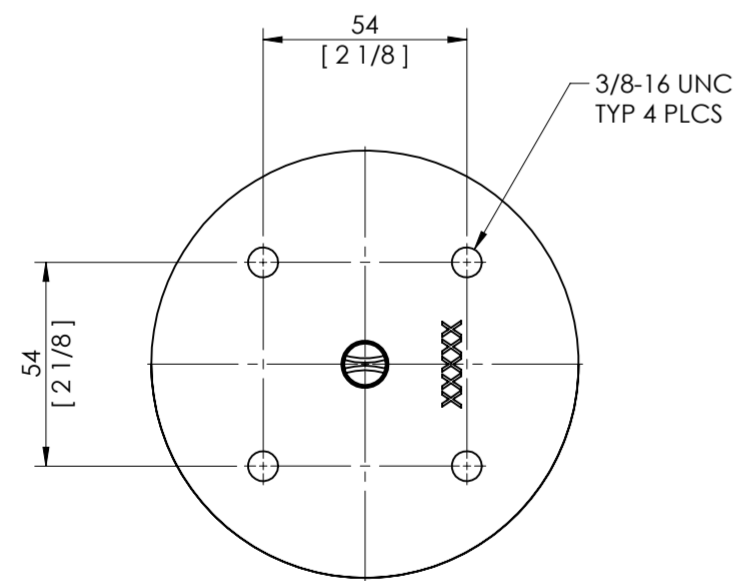
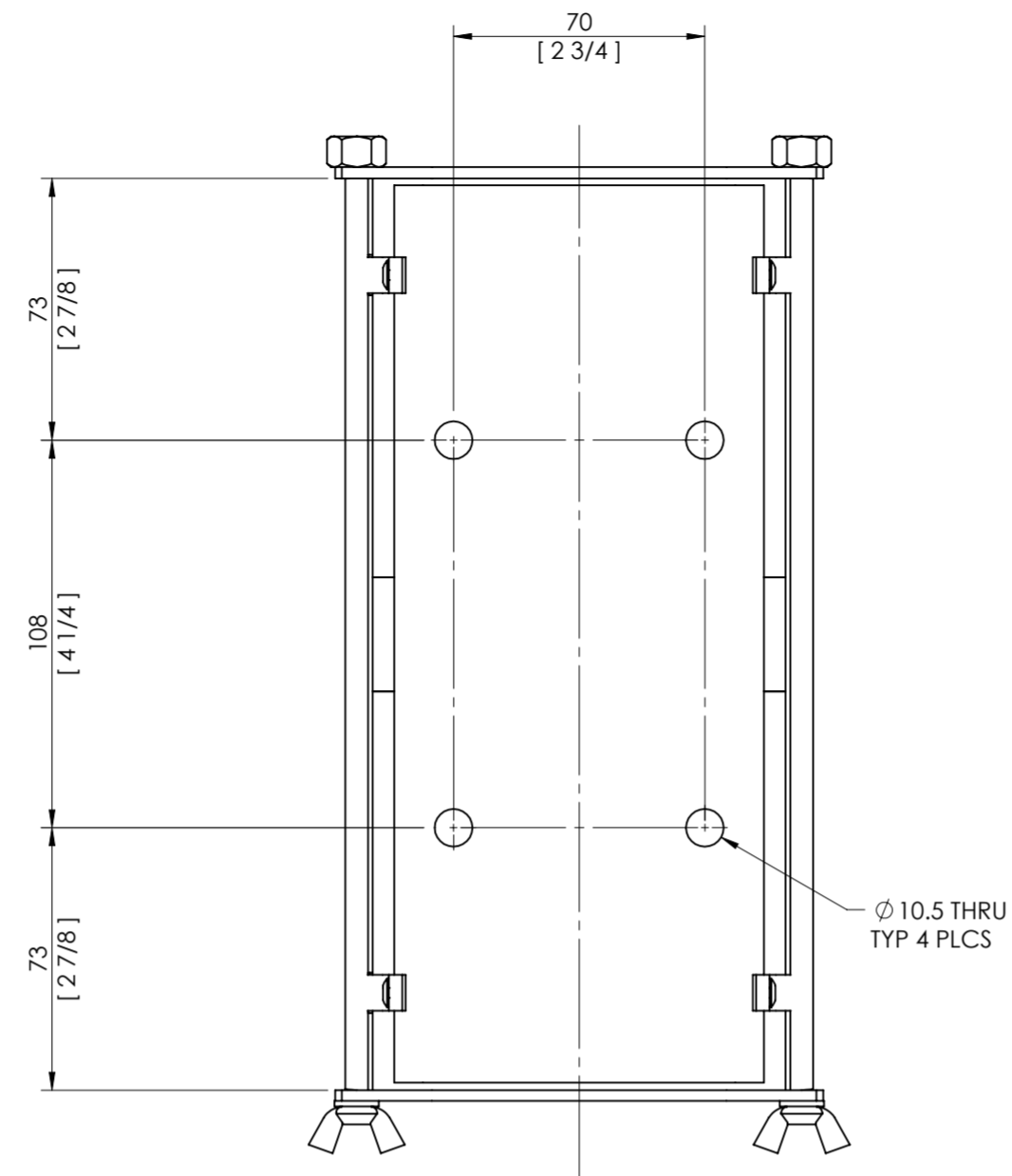
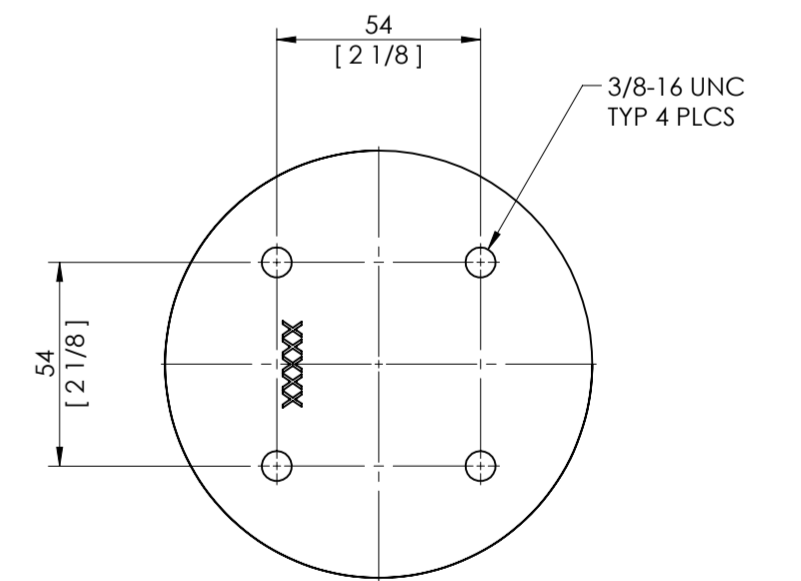
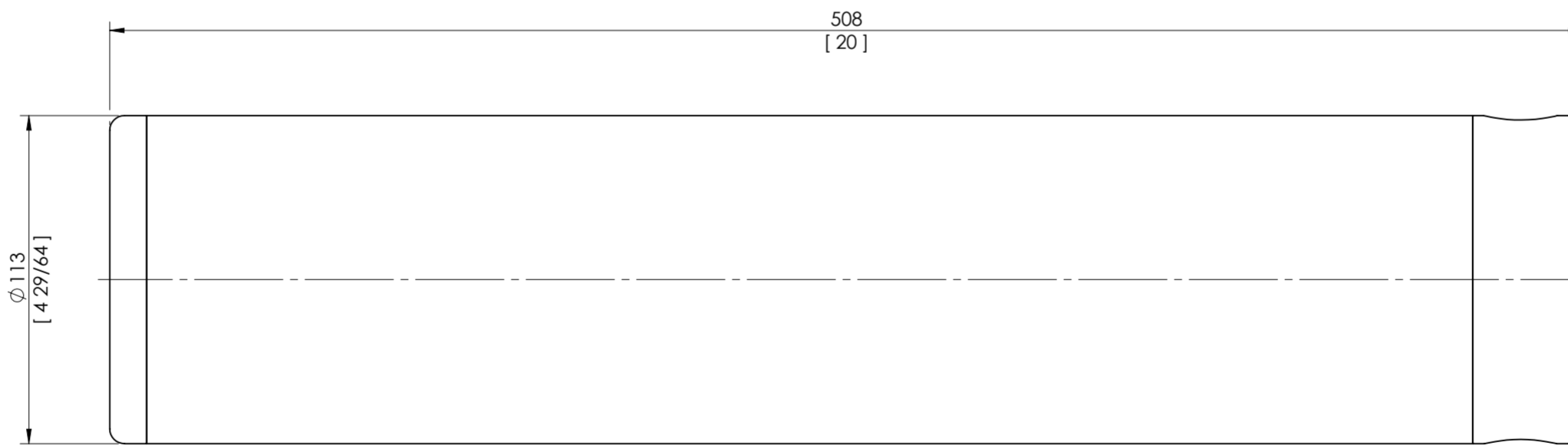


**INTERNAL WATER TRAP ASSEMBLY**  
SHOWING MOUNTING DETAILS



**EXTERNAL WATER TRAP ASSEMBLY**  
SHOWING MOUNTING DETAILS



NOTES:

DENOTES CHANGES MADE AT THIS REVISION						
R05	FLOAT/CHECK VALVE ORIENTATION CORRECTED	23343	SD	18/03/19	AN	
R04	UPDATED PRESSURE VALUES	21848	RC	21/02/18	AN	
R03	REDRAWN IN SOLIDWORKS	8999	MM	27/09/07	RW	
R00	ISSUED FOR MANUFACTURE					
REV	DESCRIPTION	ECN	BY	DATE	AUTH.	

DRAWING NO. <b>P180581491S2</b>		REV <b>R05</b>
PART NO. <b>B1496A</b>	PRODUCT / PROJECT No. <b>GASMIZER</b>	
SIZE <b>A2</b>	SCALE (UOS) <b>1:2</b>	SHEET <b>2 of 2</b>

**BELL EQUIPMENT, GENERAL ASSEMBLY**

JFD WESTHILL  
ENTERPRISE DRIVE,  
WESTHILL, ABERDEEN,  
AB32 6TQ, UK

TEL: +44 (0)1224 740145  
E: enquires@jfdglobal.com  
W: jfdglobal.com

THIRD ANGLE PROJECTION  
DO NOT SCALE DRAWING

JFD OWNS THE COPYRIGHT OF THIS DOCUMENT AND ANY DESIGN RIGHT HEREIN. IT IS SUPPLIED IN CONFIDENCE AND MUST NOT BE USED FOR ANY PURPOSE OTHER THAN THAT FOR WHICH IT IS SUPPLIED AND MUST NOT BE REPRODUCED WITHOUT PERMISSION IN WRITING FROM THE OWNERS.