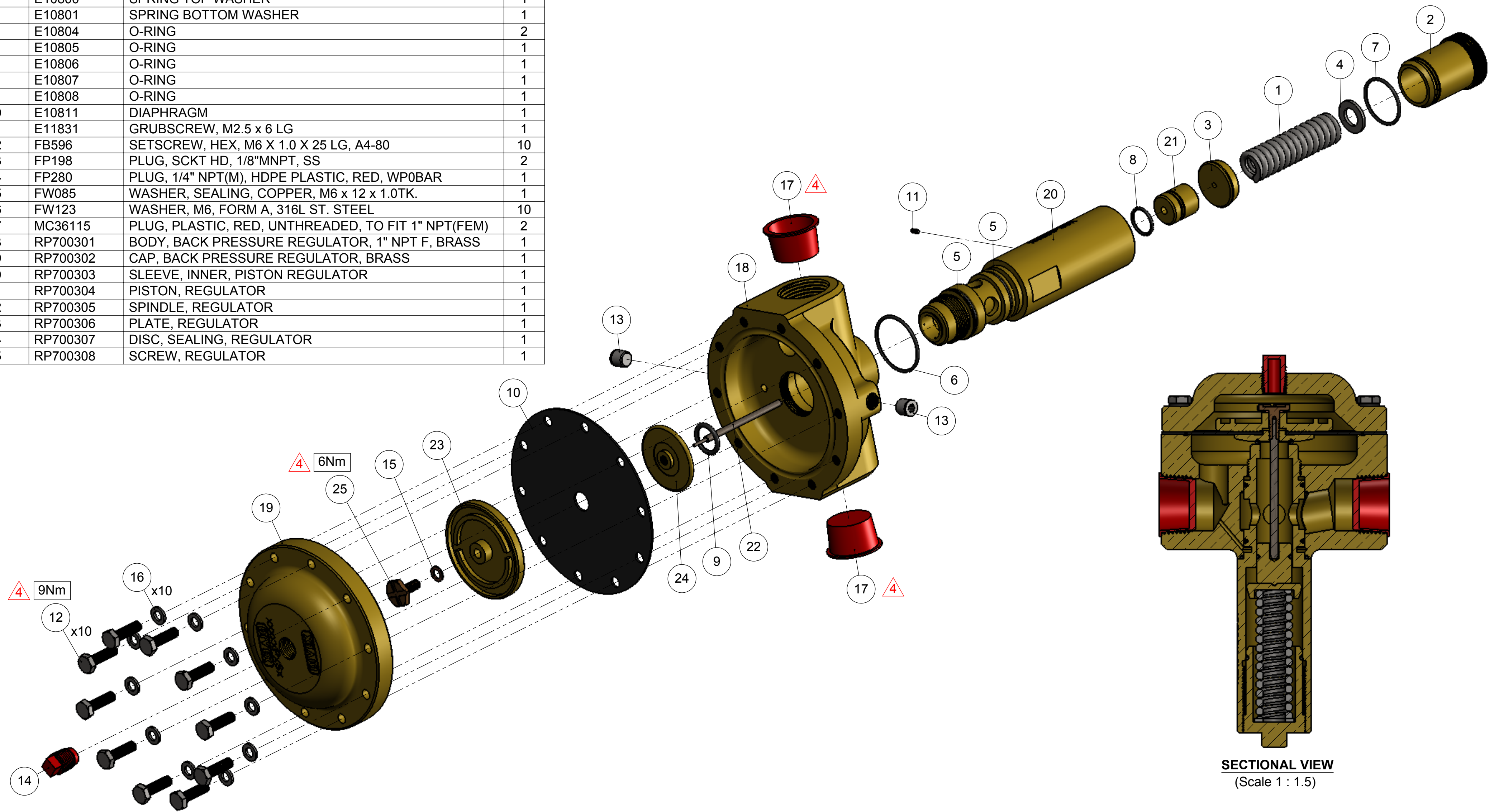


| ITEM NO. | PART NO. | DESCRIPTION  | QTY |
|----------|----------|--|-----|
| 1        | E10439   | SPRING, 20.5 OD x 4.47 WIRE DIA, 71.2 LNG, 12.1/2 CO | 1   |
| 2        | E10797   | SPRING RETAINER / ADJUSTER                           | 1   |
| 3        | E10800   | SPRING TOP WASHER                                    | 1   |
| 4        | E10801   | SPRING BOTTOM WASHER                                 | 1   |
| 5        | E10804   | O-RING   | 2   |
| 6        | E10805   | O-RING   | 1   |
| 7        | E10806   | O-RING   | 1   |
| 8        | E10807   | O-RING   | 1   |
| 9        | E10808   | O-RING   | 1   |
| 10       | E10811   | DIAPHRAGM  | 1   |
| 11       | E11831   | GRUBSCREW, M2.5 x 6 LG                               | 1   |
| 12       | FB596    | SETSCREW, HEX, M6 X 1.0 X 25 LG, A4-80               | 10  |
| 13       | FP198    | PLUG, SCKT HD, 1/8"MNPT, SS                          | 2   |
| 14       | FP280    | PLUG, 1/4" NPT(M), HDPE PLASTIC, RED, WP0BAR         | 1   |
| 15       | FW085    | WASHER, SEALING, COPPER, M6 x 12 x 1.0TK.            | 1   |
| 16       | FW123    | WASHER, M6, FORM A, 316L ST. STEEL                   | 10  |
| 17       | MC36115  | PLUG, PLASTIC, RED, UNTHREADED, TO FIT 1" NPT(FEM)   | 2   |
| 18       | RP700301 | BODY, BACK PRESSURE REGULATOR, 1" NPT F, BRASS       | 1   |
| 19       | RP700302 | CAP, BACK PRESSURE REGULATOR, BRASS                  | 1   |
| 20       | RP700303 | SLEEVE, INNER, PISTON REGULATOR                      | 1   |
| 21       | RP700304 | PISTON, REGULATOR                                    | 1   |
| 22       | RP700305 | SPINDLE, REGULATOR                                   | 1   |
| 23       | RP700306 | PLATE, REGULATOR                                     | 1   |
| 24       | RP700307 | DISC, SEALING, REGULATOR                             | 1   |
| 25       | RP700308 | SCREW, REGULATOR                                     | 1   |



**SECTIONAL VIEW**  
(Scale 1 : 1.5)

DIVEX OWNS THE COPYRIGHT OF THIS DOCUMENT AND ANY DESIGN RIGHT HEREIN. IT IS SUPPLIED IN CONFIDENCE AND MUST NOT BE USED FOR ANY PURPOSE OTHER THAN THAT FOR WHICH IT IS SUPPLIED AND MUST NOT BE REPRODUCED WITHOUT PERMISSION IN WRITING FROM THE OWNERS.

NOTES

4 - DENOTES CHANGES MADE AT THIS REVISION.

ALL DIMENSIONS SHOWN ARE IN MM (UOS)  
ALL DIMENSIONS BEFORE PLATING (UOS)  
REMOVE ALL SHARP EDGES AND BURRS

| DIMENSIONAL TOLERANCES |       |                   |       |
|------------------------|-------|-------------------|-------|
| MACHINING              |       | FABRICATION       |       |
| NO DECIMAL PLACES      | ±1.0  | SIZE >0 <100      | ±0.5  |
| ONE DECIMAL PLACE      | ±0.2  | SIZE >100 <500    | ±1.5  |
| TWO DECIMAL PLACE      | ±0.05 | SIZE >500         | ±3.0  |
| ANGULAR TOLERANCE      | ±0.5° | ANGULAR TOLERANCE | ±0.5° |

MATERIAL  
SEE PARTS LIST

FINISH  
N/A

THIRD ANGLE PROJECTION

| REV | DESCRIPTION  | ECN No | BY  | DATE       | AUTH BY |
|-----|--|--------|-----|------------|---------|
| R06 |  |        |     |            |         |
| R05 |  |        |     |            |         |
| R04 | PLUG K110298 REPLACED WITH MC36115 & TORQUE SETTINGS ADDED | 14037  | ZD  | 01/03/2011 | MS      |
| R03 | MODELS UPDATED & NEW BORDER ADDED                          | 13913  | RAS | 09/12/2010 | MS      |
| R02 | ADD FP280 - PLASTIC PLUG                                   | 10939  | MS  | 25/07/2008 | GM      |
| R01 | ASSEMBLY ORDER MODIFIED                                    | 6398   | AC  | 14/09/2006 | RTW     |
| R00 | ISSUED FOR MANUFACTURE                                     |        | KB  | 10/02/2006 | RTW     |

**DO NOT SCALE DRAWING**

| TITLE   |                    |                       |          |
|---|--------------------|-----------------------|----------|
| <b>REGULATOR ASSEMBLY, BACK PRESSURE, 1" NPT F, BRASS</b> |                    |                       |          |
| DRAWING No.   |                    | REV                   |          |
| <b>P198153S1</b>  |                    | <b>R04</b>            |          |
| PART No.  |                    | PRODUCT / PROJECT No. |          |
| <b>RP700</b>  |                    | <b>BPR</b>            |          |
| SIZE  | SCALE              | SHT                   | OF       |
| <b>A2</b>   | <b>1:2 (U.O.S)</b> | <b>1</b>              | <b>1</b> |

DIVEX LIMITED  
ENTERPRISE DRIVE  
WESTHILL  
ABERDEEN  
AB32 6TQ  
UNITED KINGDOM

Tel : +44(0)1224 740145  
Fax : +44(0)1224 740172  
email : info@divexglobal.com  
www.divexglobal.com