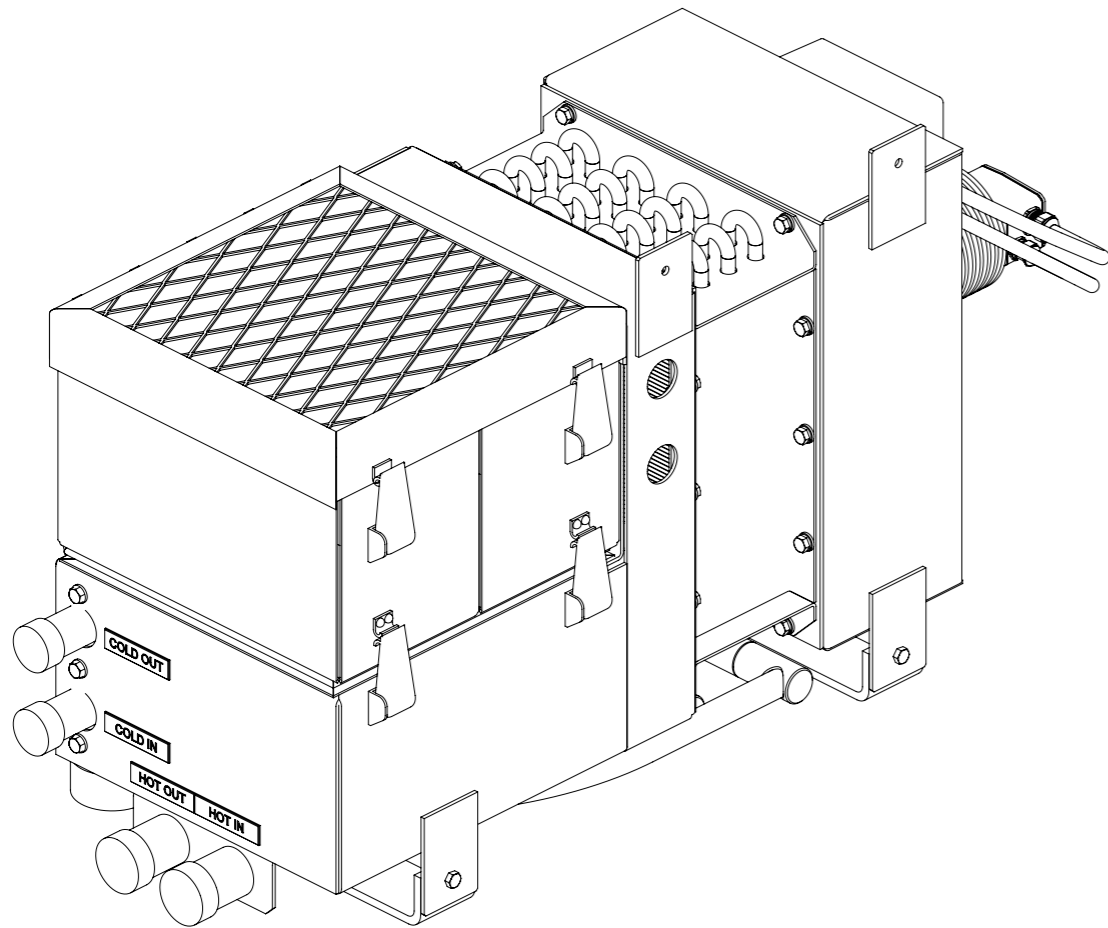
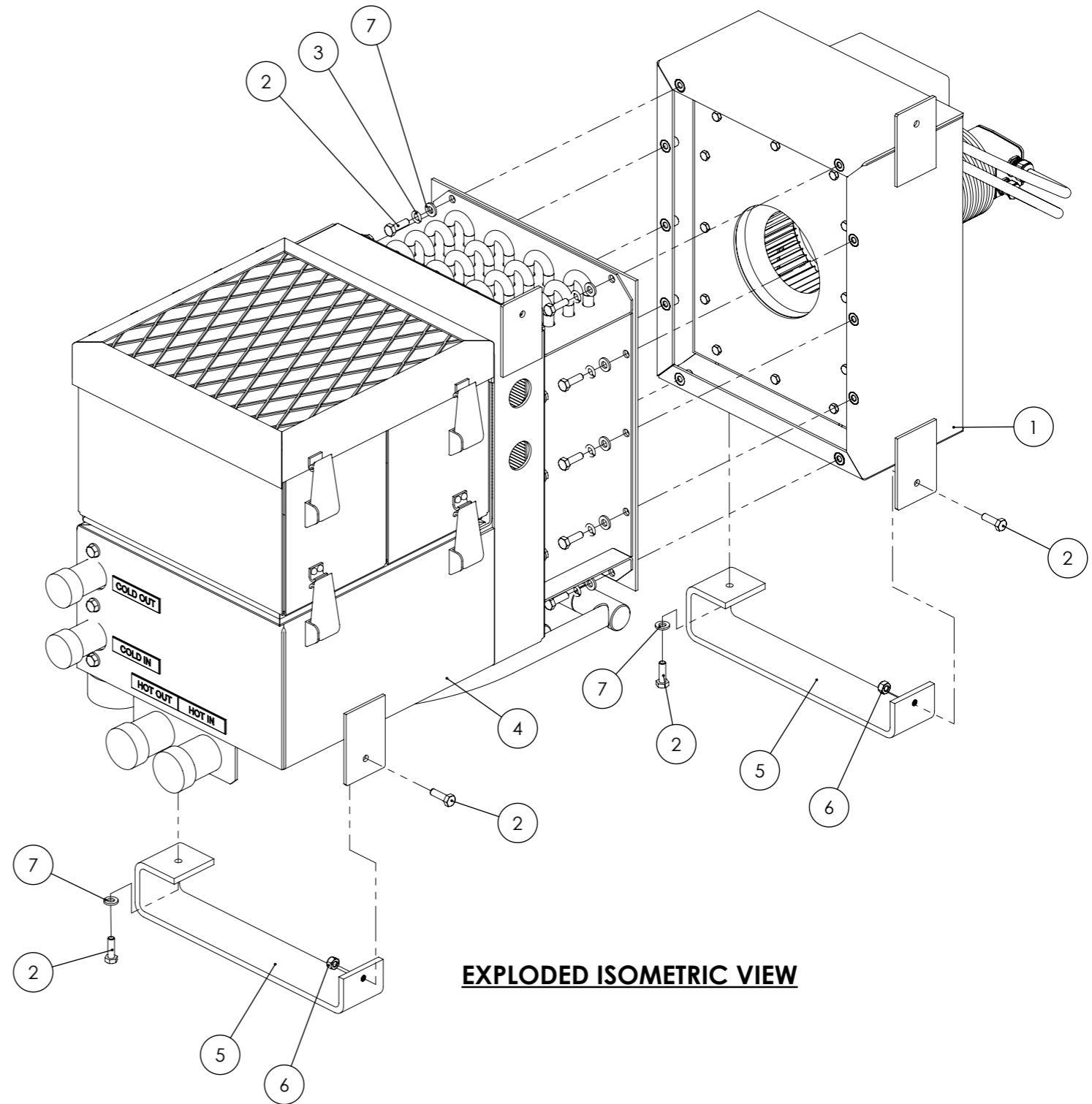


ITEM NO.	PART NO.	DESCRIPTION	QTY.
1	KI40037101	BLOWER SUB ASSY, HCU 3/*	1
2	FB113	SETSCREW, HEX, M6 X 1 X 20, 316L ST. STEEL	14
3	FW127	WASHER, SPRING, M6, TYPE A, SS 316	10
4	KI40034100	HCU 3/4 WITHOUT BLOWER	1
5	KI40036304	FOOT, TRANSIT, HCU 3/*	2
6	FN036	NUT, NYLOC, M6, 316L ST. STEEL	2
7	FW123	WASHER, M6, FORM A, 316L ST. STEEL	12

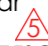


**ISOMETRIC VIEW**



**EXPLODED ISOMETRIC VIEW**

NOTES:

COIL : MAXIMUM WORKING PRESSURE = 30 bar  
 DESIGN PRESSURE = 33 bar  
 TEST PRESSURE = 45 bar   
 DESIGN TEMPERATURE = 75°C

ENVIRONMENT : DESIGN TEMP. = 36°C

 DENOTES CHANGES MADE AT THIS REVISION

REV	DESCRIPTION	ECN	BY	DATE	AUTH.
R05	UPDATING TEST PRESSURE	21817	JR	20/12/17	AN
R04	NOTES ADDED	17480	JR	16/02/15	SC
R03	10 OFF FW123 ADDED	13711	SR	17/12/10	SW
R00	ISSUED FOR MANUFACTURE		GR	03/07/08	RTW

TITLE **HCU 3/4, ELECTRIC DRIVE, 24Vdc**

DRAWING NO. **P21711S1** REV **R05**

 THIRD ANGLE PROJECTION DO NOT SCALE DRAWING

PART NO. **KI40034** PRODUCT / PROJECT No. **KINERGETICS**

JFD OWNS THE COPYRIGHT OF THIS DOCUMENT AND ANY DESIGN RIGHT HEREIN. IT IS SUPPLIED IN CONFIDENCE AND MUST NOT BE USED FOR ANY PURPOSE OTHER THAN THAT FOR WHICH IT IS SUPPLIED AND MUST NOT BE REPRODUCED WITHOUT PERMISSION IN WRITING FROM THE OWNERS.

SIZE **A3** SCALE (UOS) **1:5** SHEET **1 OF 1**



JFD WESTHILL  
 ENTERPRISE DRIVE,  
 WESTHILL, ABERDEEN,  
 AB32 6TQ, UK

TEL: +44 (0)1224 740145  
 E: enquiries@jfdglobal.com  
 W: jfdglobal.com