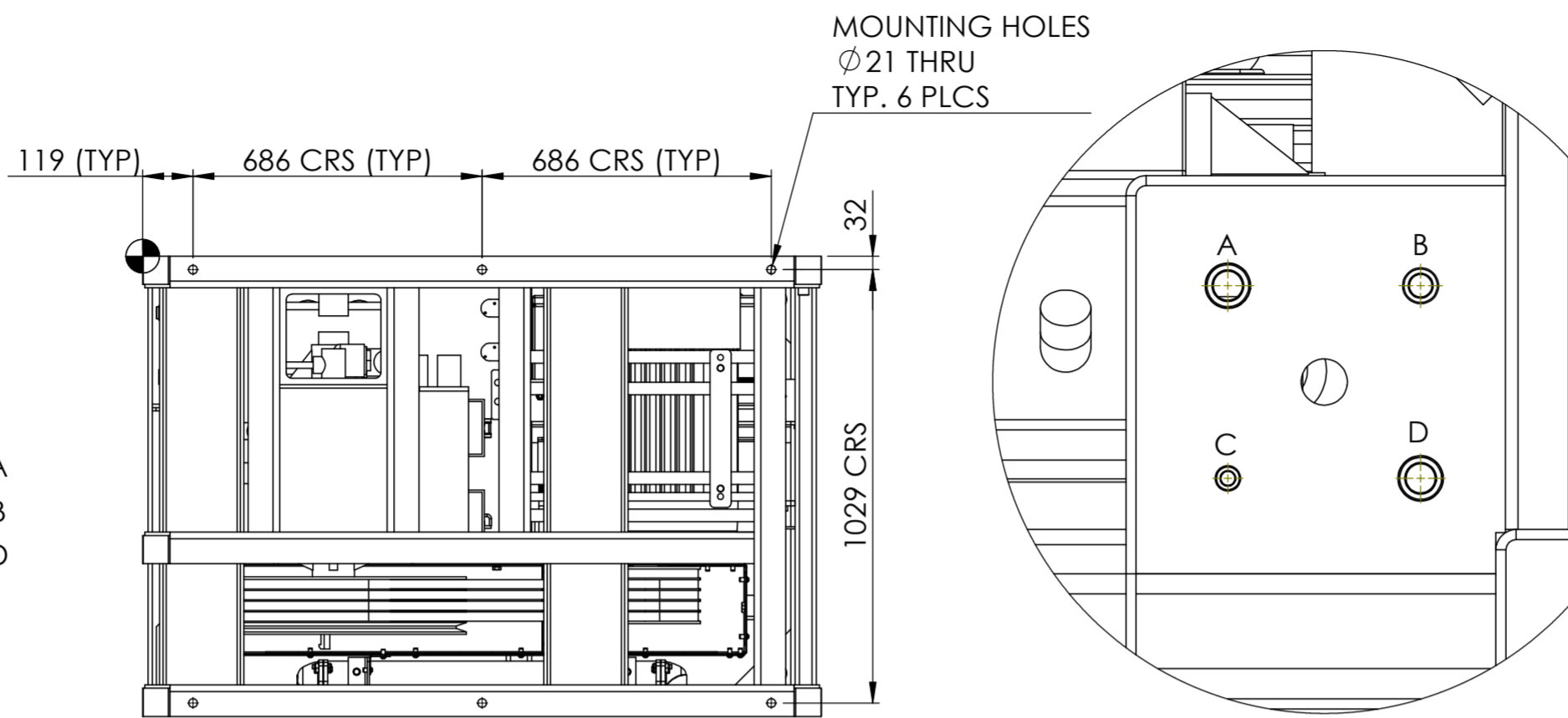


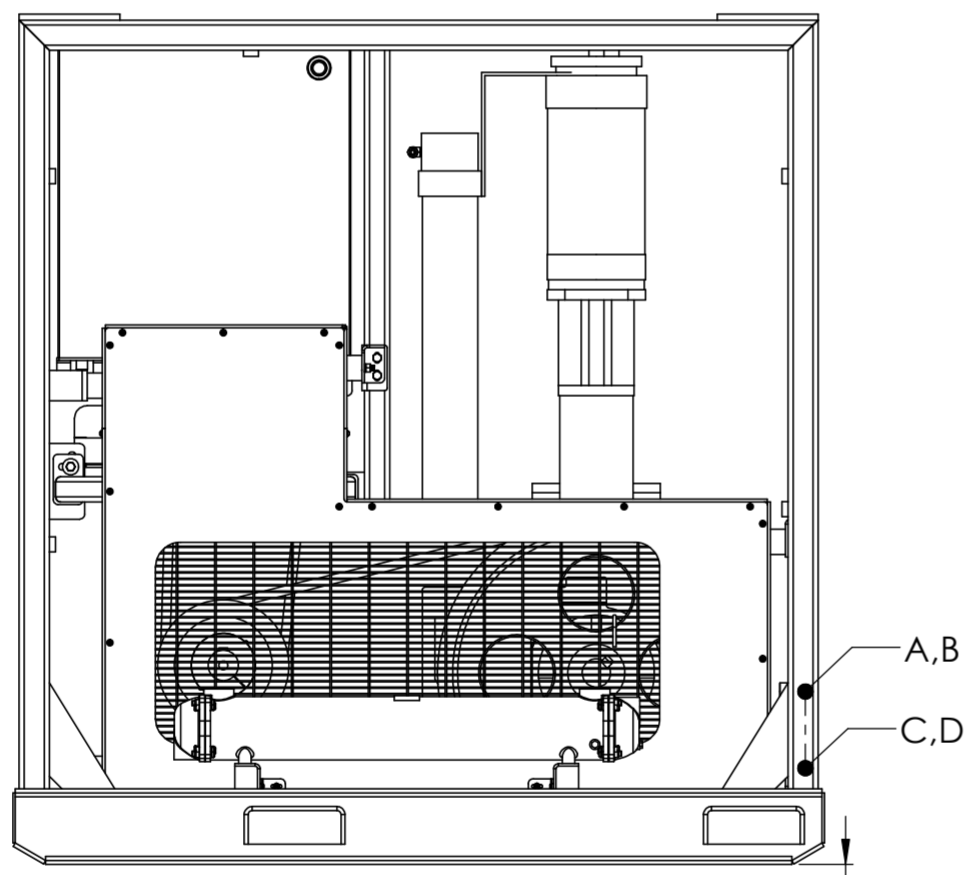
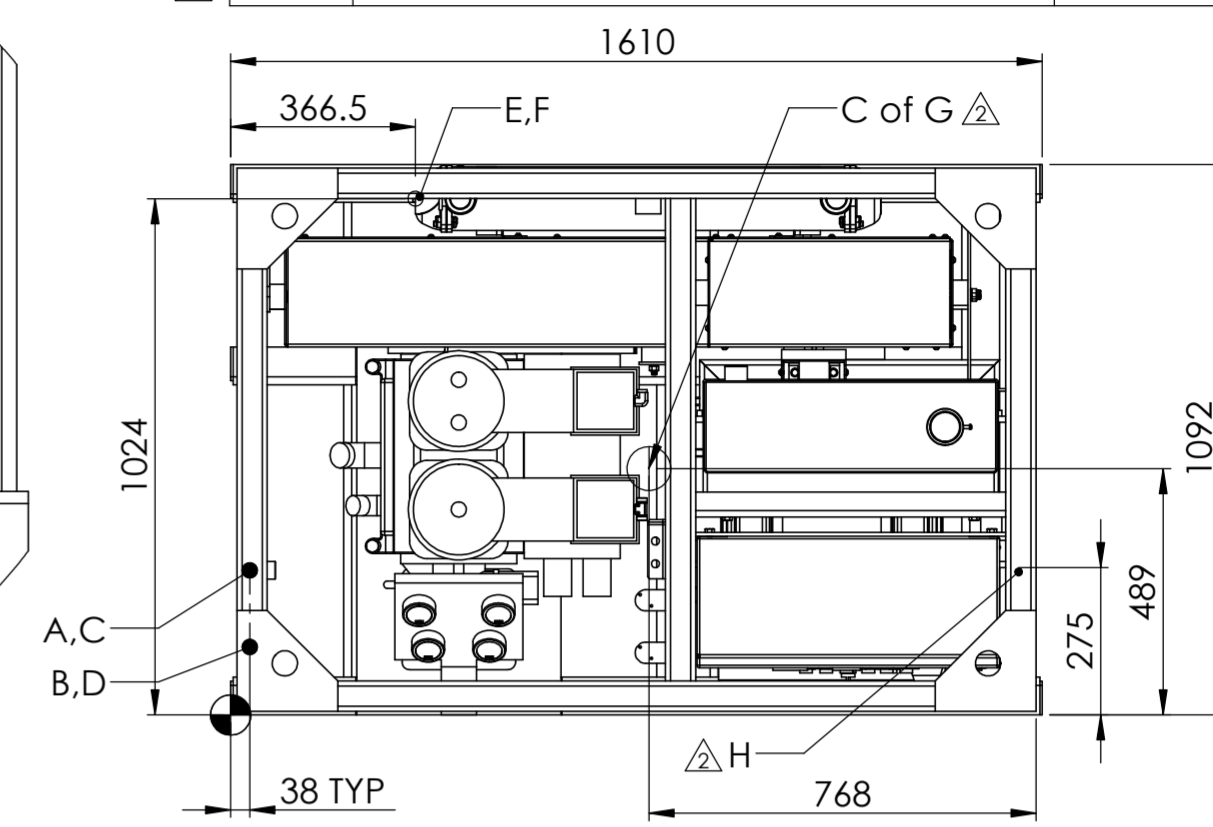
ISOMETRIC VIEW



VIEW ON ARROW 'Z'

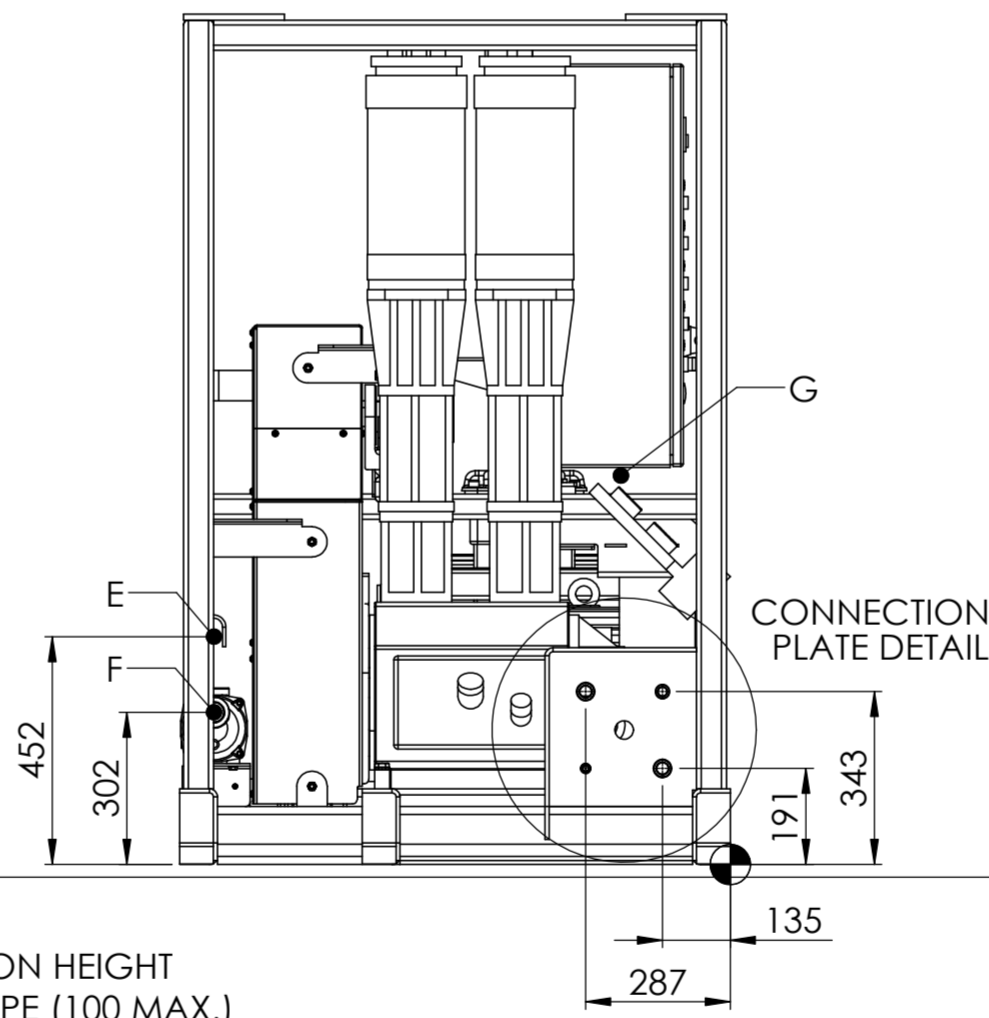
CONNECTION PLATE DETAIL
SCALE 1 : 5

CONNECTIONS		
I.D.	DESCRIPTION	CONNECTION
A	GAS INLET	3/4" (F) NPT
B	GAS OUTLET	1/2" (F) NPT
C	BPR CONNECTION	1/4" (F) NPT
D	UNLOADER	3/4" (F) NPT
E	COOLING WATER INLET	G1 - 1/4"
F	COOLING WATER OUTLET	G1 - 1/4"
G	440V 3PH SUPPLY & INSTRUMENT CABLE	GLAND(S)
H	EARTH STUD	M10x40

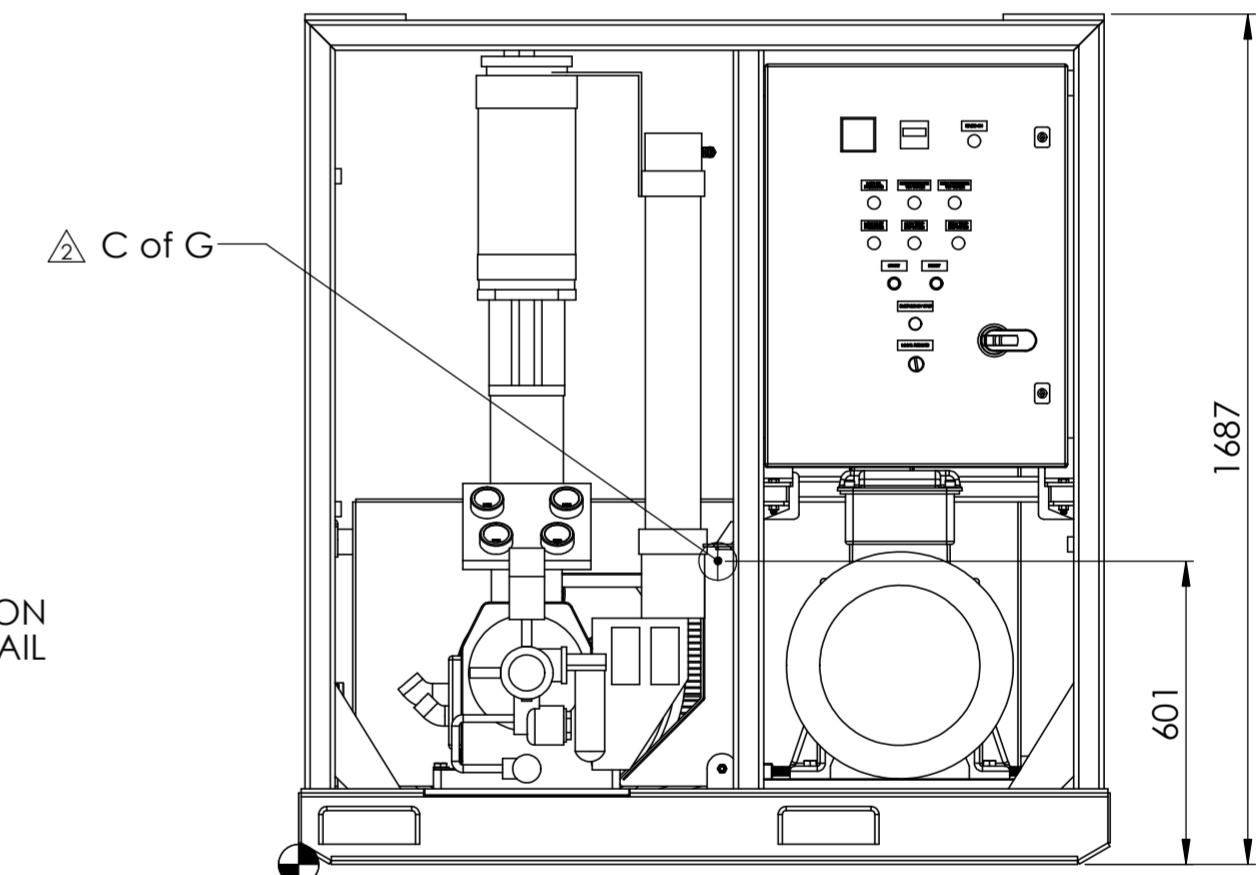


TOP OF DECK

FOUNDATION HEIGHT
SHIPYARD SCOPE (100 MAX.)



CONNECTION PLATE DETAIL



EQUIPMENT POSITION DATUM

DIVEX OWNS THE COPYRIGHT OF THIS DOCUMENT AND ANY DESIGN RIGHT HEREIN. IT IS SUPPLIED IN CONFIDENCE AND MUST NOT BE USED FOR ANY PURPOSE OTHER THAN THAT FOR WHICH IT IS SUPPLIED AND MUST NOT BE REPRODUCED WITHOUT PERMISSION IN WRITING FROM THE OWNERS.

NOTES
1. ALL CONNECTIONS ± 0.25mm
2. TUBE IS SIZED BY OUTER DIAMETER AND WALL THICKNESS. METRIC PIPE IS SIZED BY NOMINAL DIAMETER IS 6708 WITH PREFIX DN.

LEGEND

 COG CENTRE OF GRAVITY
 EQUIPMENT DATUM
 CONNECTION POINT
 - DENOTES CHANGES MADE AT THIS REVISION.

ALL DIMENSIONS SHOWN ARE IN MM (UOS)
ALL DIMENSIONS BEFORE PLATING (UOS)
REMOVE ALL SHARP EDGES AND BURRS

DIMENSIONAL TOLERANCES			
MACHINING		FABRICATION	
NO DECIMAL PLACES	±1.0	SIZE >0 <100	±0.5
ONE DECIMAL PLACE	±0.2	SIZE >100 <500	±1.5
TWO DECIMAL PLACE	±0.05	SIZE >500	±3.0
ANGULAR TOLERANCE	±0.5°	ANGULAR TOLERANCE	±0.5°

MATERIAL	N/A
FINISH	N/A

THIRD ANGLE PROJECTION

REV	DESCRIPTION	ECN No	BY	DATE	AUTH. BY
R06					
R05					
R04					
R03					
R02	EARTH POINT & CENTRE OF GRAVITY ADDED	15408	DW	19/12/2012	JH
R01	STARTER PANEL UPDATED	14996	ZD	04/09/2012	SC
R00	ISSUED FOR MANUFACTURE		AC	05/10/2007	MR

DO NOT SCALE DRAWING

TITLE		BOOSTER INTERFACE INFORMATION	
DRAWING No.	IFD1001006S1	REV	R02
PART No.	N/A	PRODUCT / PROJECT No.	IFD100
SIZE	A2	SCALE	1:15
SHT	1	OF	1

DIVEX LIMITED
ENTERPRISE DRIVE
WESTHILL
ABERDEEN
AB32 6TQ
UNITED KINGDOM

Tel : +44(0)1224 740145
Fax : +44(0)1224 740172
email : info@divexglobal.com
www.divexglobal.com