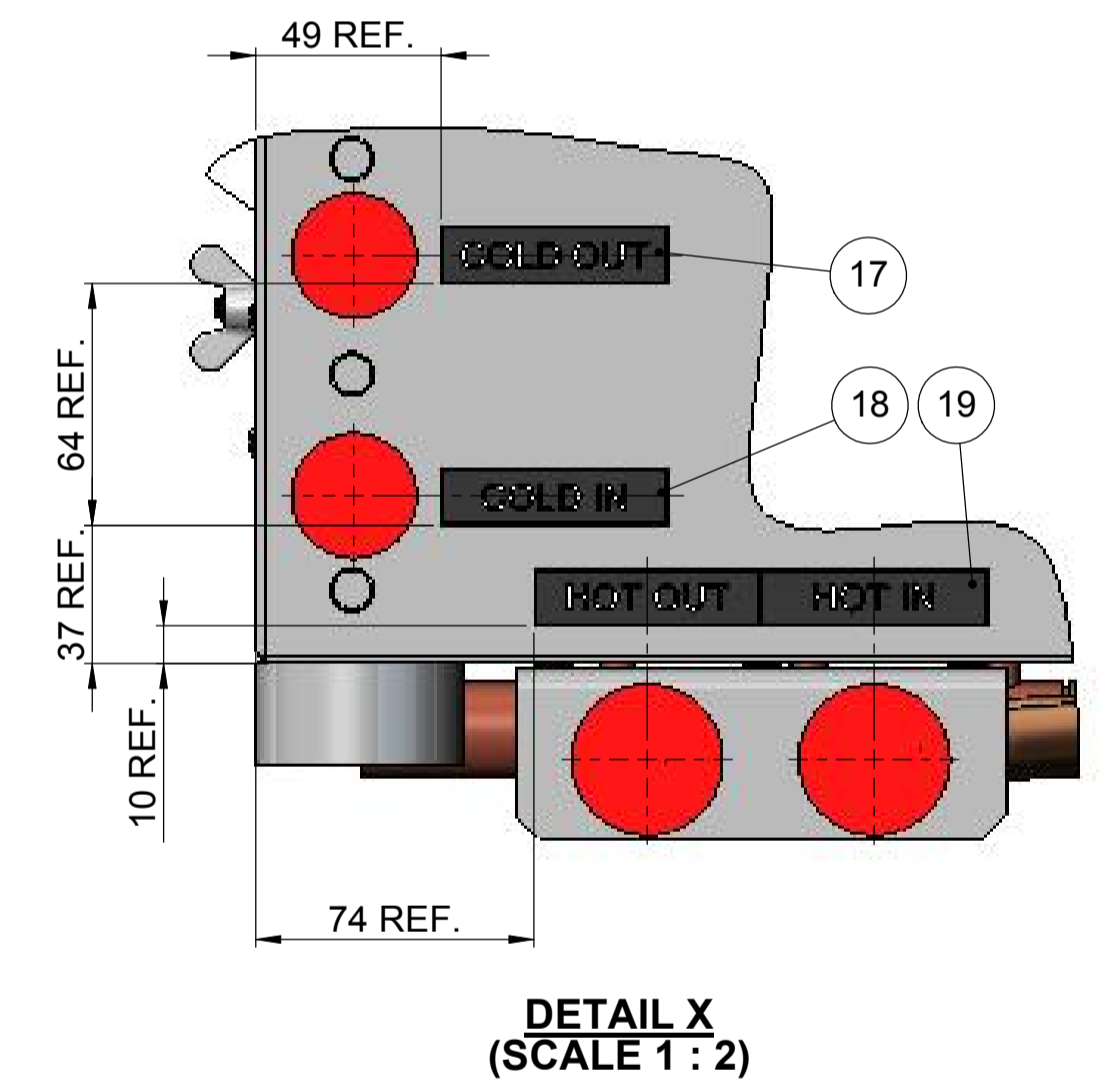


ITEM NO.	PART NO.	DESCRIPTION	QTY.
1	FB113	SETSCREW, HEX, M6 x 1 x 20, 316L ST. STEEL	16
2	FB263	SCREW,M/C,CSK,SLOTTED, M4 X 12 MM LONG, SS 316	12
3	FC064	RIVET, POP, 3 MM X 8 MM, SS	4
4	FC079	CIRCLIP, INTERNAL, 45MM BORE X 1.75MM, ST. STEEL	1
5	FW123	WASHER,M6, FORM A, 316L ST. STEEL	16
6	KI10299	PLUG, PLASTIC, 3/4"SCREWED	2
7	KI11702	VALVE, DRAIN, DEHUMIDIFIER	1
8	KI11993	LID ASSEMBLY, SCRUBBER BOX, HCU3/6	1
9	KI13481	GASKET, HEAT EXCHANGER, REHEAT, HCU 3/*	2
10	KI13541	SEAT, INLET, V/V, P/NO.8160	1
11	KI14627	HEAT EXCHANGER, RE-HEAT, SUB ASSEMBLY, HCU-3/*	1
12	KI14631	BOX ASSEMBLY, SCRUBBER, SINGLE, HCU	4
13	KI14761	HEAT EXCHANGER ASSEMBLY, DEMHUMIDIFIER, HCU 3/6	1
14	KI17002	NAMEPLATE, KINERGETICS/DIVEX	1
15	KI40036101	PLENUM ASSEMBLY, HCU 3/6	1
16	KI40036103	COUPLING ASSEMBLY, HEAT EXCHANGER, REHEAT, HCU 3/*	1
17	T1253	LABEL, "COLD OUT", BLACK / WHITE, 60MM X 15MM	1
18	T1254	LABEL, "COLD IN", BLACK / WHITE, 60MM X 15MM	1
19	T1255	LABEL, "HOT OUT HOT IN", BLK / WHT, 120MM X 15MM	1
20	TM213	TUBE, TUNGUM, 3/4" X 18SWG, WP118BAR, TCL100/A	1



DIVEX OWNS THE COPYRIGHT OF THIS DOCUMENT AND ANY DESIGN RIGHT HEREIN. IT IS SUPPLIED IN CONFIDENCE AND MUST NOT BE USED FOR ANY PURPOSE OTHER THAN THAT FOR WHICH IT IS SUPPLIED AND MUST NOT BE REPRODUCED WITHOUT PERMISSION IN WRITING FROM THE OWNERS.

NOTES

ALL DIMENSIONS SHOWN ARE IN MM (UOS)  
 ALL DIMENSIONS BEFORE PLATING (UOS)  
 REMOVE ALL SHARP EDGES AND BURRS

DIMENSIONAL TOLERANCES	
MACHINING	FABRICATION
NO DECIMAL PLACES	±1.0
ONE DECIMAL PLACE	±0.2
TWO DECIMAL PLACE	±0.05
ANGULAR TOLERANCE	±0.5°
SIZE >0 <100	±0.5
SIZE >100 <500	±1.5
SIZE >500	±3.0
ANGULAR TOLERANCE	±0.5°

MATERIAL  
SEE PARTS LIST

FINISH  
N/A

THIRD ANGLE PROJECTION

REV	DESCRIPTION	ECN No	BY	DATE	AUTH.BY
R06					
R05					
R04					
R03	FW127 REPLACED WITH FW123	12440	GR	12/05/2009	RTW
R02	UPDATED TO SHOW LABELS	12115	GC	03/03/2009	RTW
R01	FB168 CHANGED TO FB263	12008	GC	13/02/2009	RTW
R00	ISSUED FOR MANUFACTURE		GC	23/05/2006	RTW

**DO NOT SCALE DRAWING**

TITLE			
<b>HCU 3/6 WITHOUT BLOWER</b>			
PRODUCT / PROJECT No. KINERGETICS			
PART No. KI40036		DRAWING No. P21714S1	
SIZE A1	SCALE 1:3	SHT 1 OF 1	REV R03

DIVEX LIMITED  
 ENTERPRISE DRIVE  
 WESTHILL  
 ABERDEEN  
 AB32 6TQ  
 UNITED KINGDOM

Tel : +44(0)1224 740145  
 Fax : +44(0)1224 740172  
 email : info@divexglobal.com  
 www.divexglobal.com