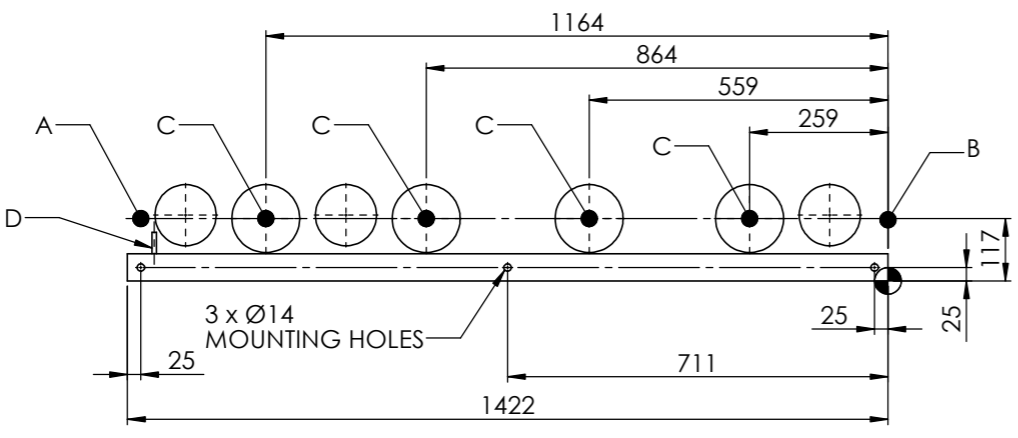
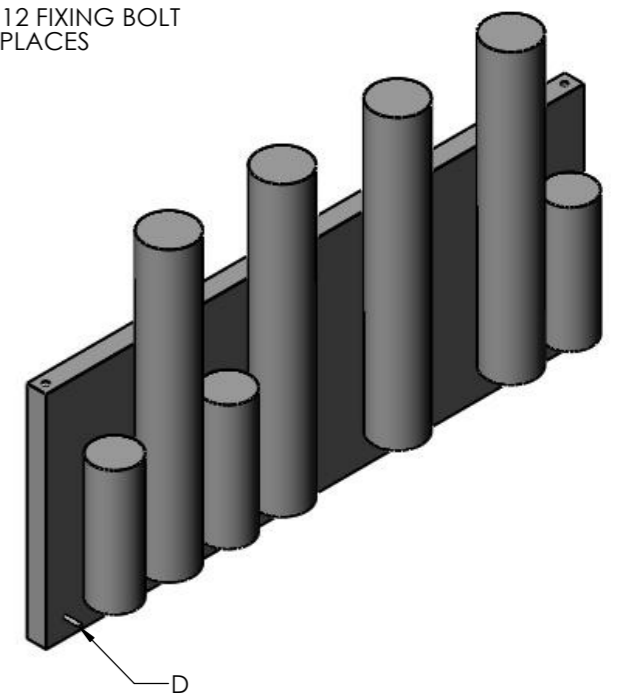
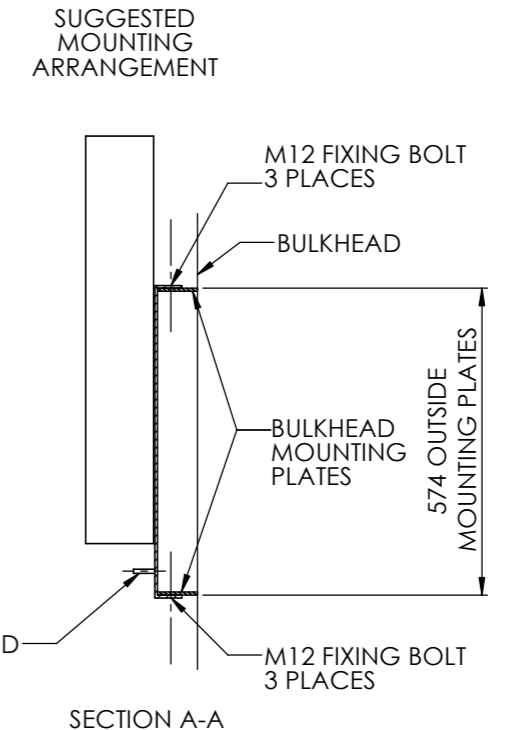
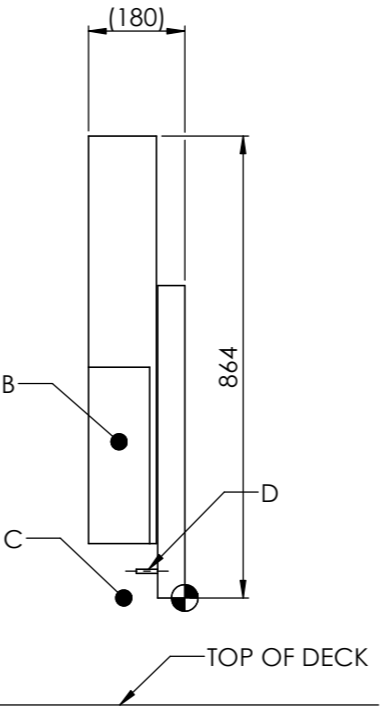
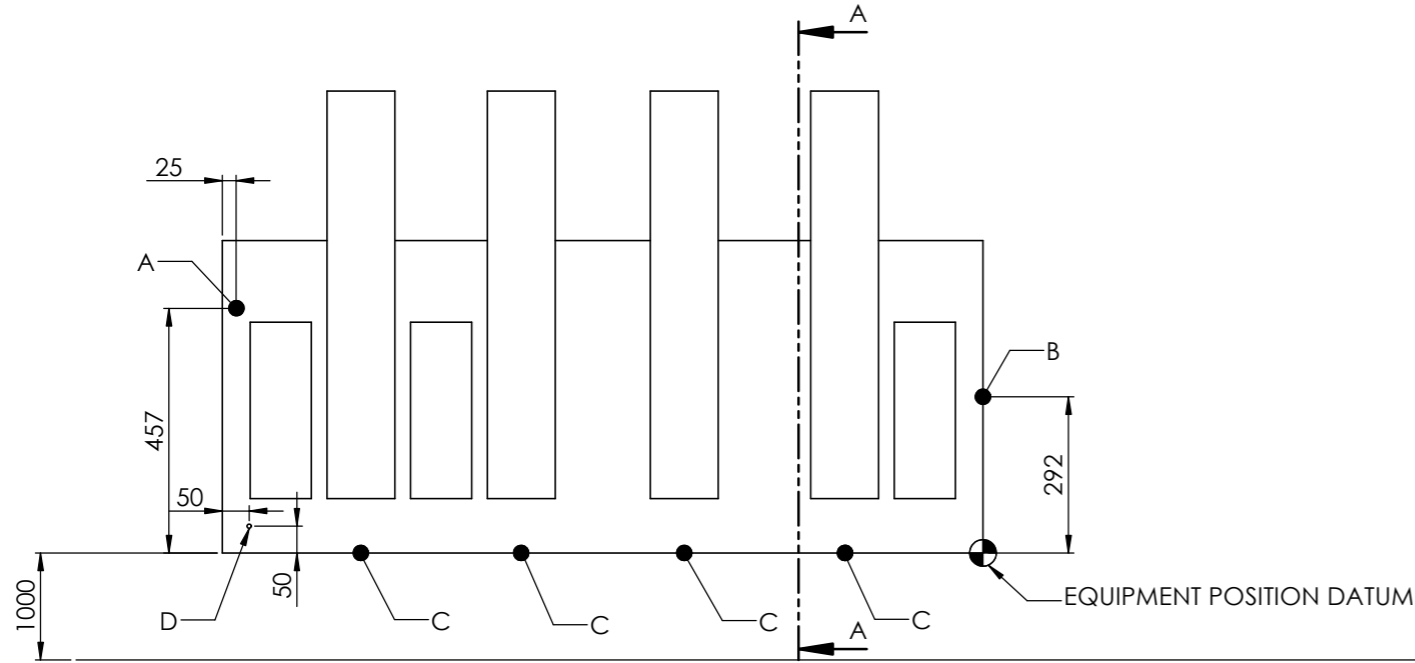


CONNECTION		
ID	DESCRIPTION	FITTING
A	GAS INLET	10-JIC (Ø 16 O.D. TUBE)
B	GAS OUTLET	10-JIC (Ø 16 O.D. TUBE)
C	DRAIN	4-JIC (Ø 6 O.D. TUBE)
D	EARTH POINT	M8 x 40



- LEGEND**
- COG CENTRE OF GRAVITY
 - EQUIPMENT DATUM
 - CONNECTION POINT

DIVEX OWNS THE COPYRIGHT OF THIS DOCUMENT AND ANY DESIGN RIGHT HEREIN. IT IS SUPPLIED IN CONFIDENCE AND MUST NOT BE USED FOR ANY PURPOSE OTHER THAN THAT FOR WHICH IT IS SUPPLIED AND MUST NOT BE REPRODUCED WITHOUT PERMISSION IN WRITING FROM THE OWNERS.

NOTES
 1. ALL CONNECTIONS +/- 0.25mm
 2. GASPURE MASS: 219KG
 3. TUBE IS SIZED BY OUTER DIAMETER AND WALL THICKNESS
 METRIC PIPE IS SIZED BY NOMINAL DIAMETER ISO 6708 WITH PREFIX DN

ALL DIMENSIONS SHOWN ARE IN MM (UOS)
 ALL DIMENSIONS BEFORE PLATING (UOS)
 REMOVE ALL SHARP EDGES AND BURRS

DIMENSIONAL TOLERANCES			
MACHINING		FABRICATION	
NO DECIMAL PLACES	±1.0	SIZE >0 <100	±0.5
ONE DECIMAL PLACE	±0.2	SIZE >100 <500	±1.5
TWO DECIMAL PLACE	±0.05	SIZE >500	±3.0
ANGULAR TOLERANCE	±0.5°	ANGULAR TOLERANCE	±0.5°

MATERIAL: N/A
 FINISH: N/A
 THIRD ANGLE PROJECTION

REV	DESCRIPTION	ECN No	BY	DATE	AUTH BY
R06					
R05					
R04					
R03					
R02	EARTH POINT ADDED		DW	12/12/12	JH
R01	NEW BORDER ADDED, TITLE UPDATED LINE IDENTIS REMOVED		JM	06/03/08	JM
R00	RELEASED FOR CONSTRUCTION		AC	08/10/07	AC

TITLE			
GASPURE INTERFACE INFORMATION			
DRAWING No. IFD1001010S1		REV R02	
PART No. SY1162045S1		PRODUCT / PROJECT No. IFD100	
SIZE A2	SCALE 1:10	SHT 1	OF 1

DIVEX LIMITED
 ENTERPRISE DRIVE
 WESTHILL
 ABERDEEN
 AB32 6TQ
 UNITED KINGDOM

Tel : +44(0)1224 740145
 Fax : +44(0)1224 740172
 email : info@divexglobal.com
 www.divexglobal.com

DO NOT SCALE DRAWING