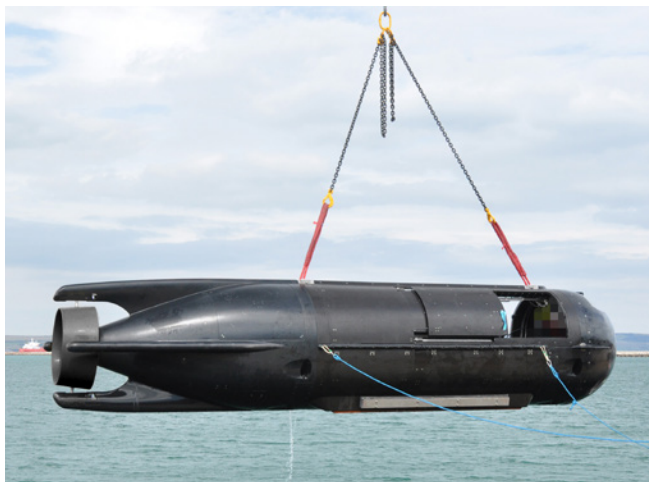


Wet Sub Seal



Wet Sub Seal is a Tactical Diving Vehicle (TDV) built by JFD to support a series of customer funded studies. The vehicle is primarily designed for subsurface range and speed and may be launched from a dry deck shelter, surface vessel, rotary wing aircraft, trailer or quayside crane.

Crewed by a pilot and navigator, the modular nature of the vehicle allows for a broad range of equipment and instrumentation to be fitted allowing for rapid re-rolling such as the infiltration and extraction of up to six Tactical Divers or deployment of autonomous underwater vehicles for littoral survey and reconnaissance.



OBSTACLE AVOIDANCE

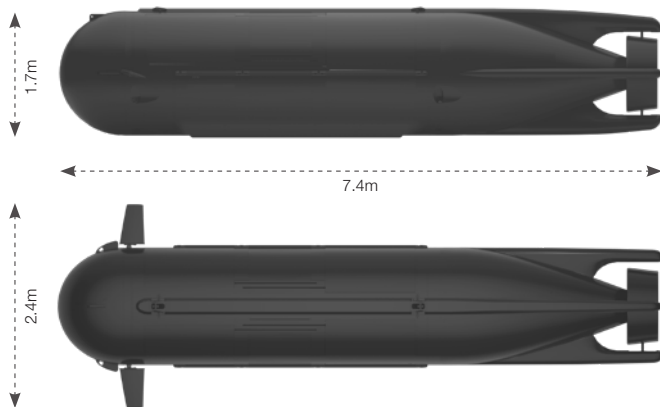
Wet Sub Seal incorporates an advanced highly effective forward looking obstacle avoidance sonar providing a clear picture of the sub-surface landscape ahead.

POWER

Power is provided by lithium polymer batteries and a vectored-thruster arrangement, affording sprint speeds of greater than seven knots and a range of 50nm.

NAVIGATION

The Steering Information Navigation and Control (SINC) system combines data from the GPS, compass, echo sounder, DVL, sonar to provide precision navigation.



SPECIFICATION

PHYSICAL

Length stored	7.4m
Beam stored	1.6m
Height stored	1.7m
Length deployed	7.4m
Beam deployed	2.4m
Height deployed	1.7m
Weight	3,500kg
Payload (excluding divers)	100kg

OPERATIONAL

Max depth	30m
Typical transit depth	6m
Persons	2 + 6
Surface max speed	N/A
Surface cruise speed	N/A
Surface range	N/A
Subsurface max speed	9 knots
Subsurface cruise speed	6 knots
Subsurface range	70nm
Thruster	20 kW