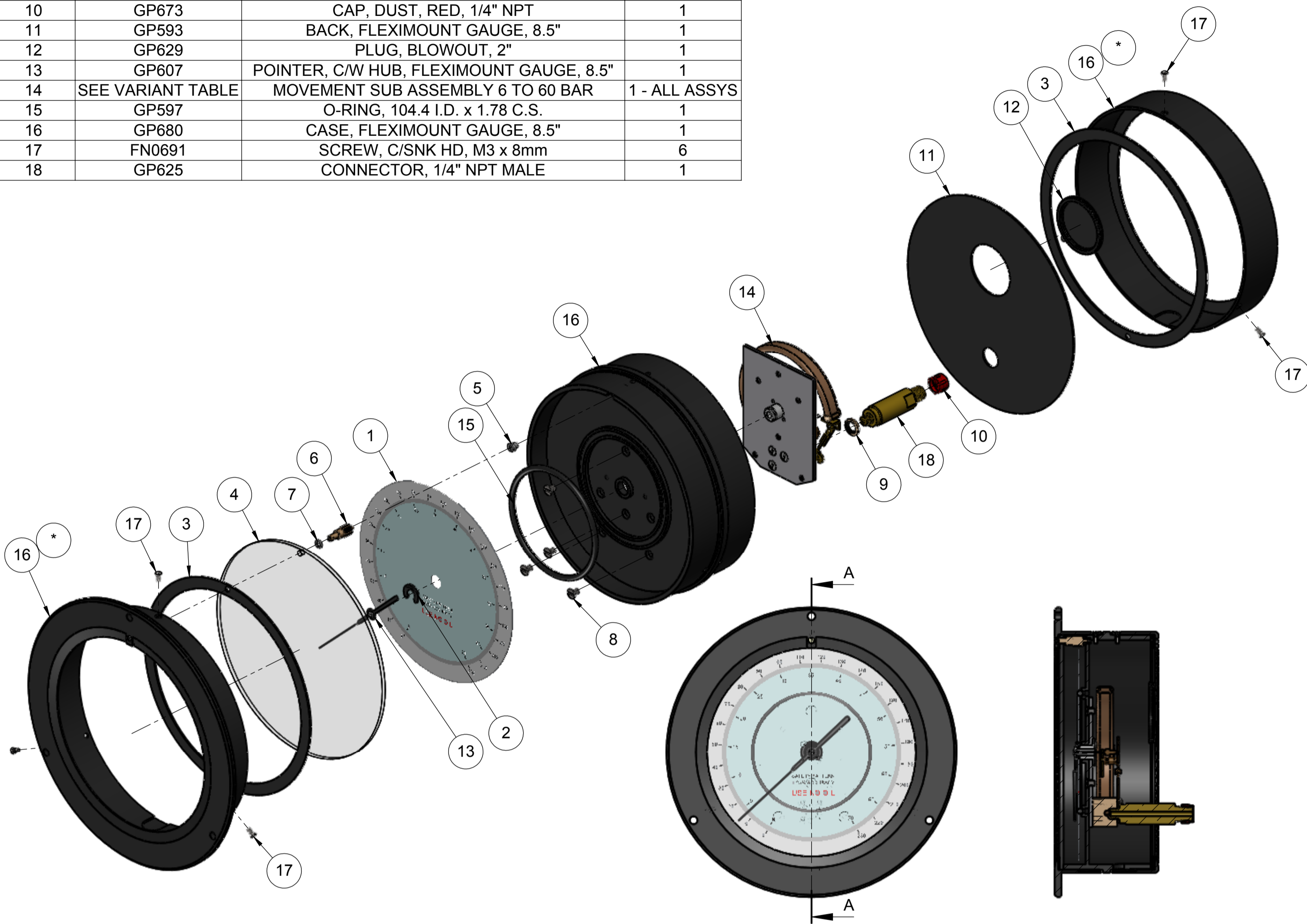


ITEM NO.	PART NO.	DESCRIPTION	QTY.
1	GP604	DIAL, C/W DIVEX LOGO, 8.5"	1
2	GPX010	CLIP, 'C', MOULDED	1
3	GP726	MOVEMENT SUB ASSEMBLY 6 TO 60 BAR	2
4	GP601	WINDOW, 8.5"	1
5	GPX008	BUSH, CASE, DEPTH GAUGE	1
6	GP626	ZERO RESET DRIVE	1
7	GP598	ZERO RESET O-RINGS	1
8	GP655	SCREW, M/C, CSK, SLOTTED, M5 x 10 S/S	4
9	GP634	SEAL, BONDED (SELF CENTERING), 1/8" BSP	1
10	GP673	CAP, DUST, RED, 1/4" NPT	1
11	GP592	BACK, FLEXIMOUNT GAUGE, 8.5"	1
12	GP629	PLUG, BLOWOUT, 2"	1
13	GP607	POINTER, C/W HUB, FLEXIMOUNT GAUGE, 8.5"	1
14	SEE VARIANT TABLE	MOVEMENT SUB ASSEMBLY 6 TO 60 BAR	1 - ALL ASSYS
15	GP597	O-RING, 104.4 I.D. x 1.78 C.S.	1
16	GP680	CASE, FLEXIMOUNT GAUGE, 8.5"	1
17	FN0691	SCREW, C/SNK HD, M3 x 8mm	6
18	GP625	CONNECTOR, 1/4" NPT MALE	1

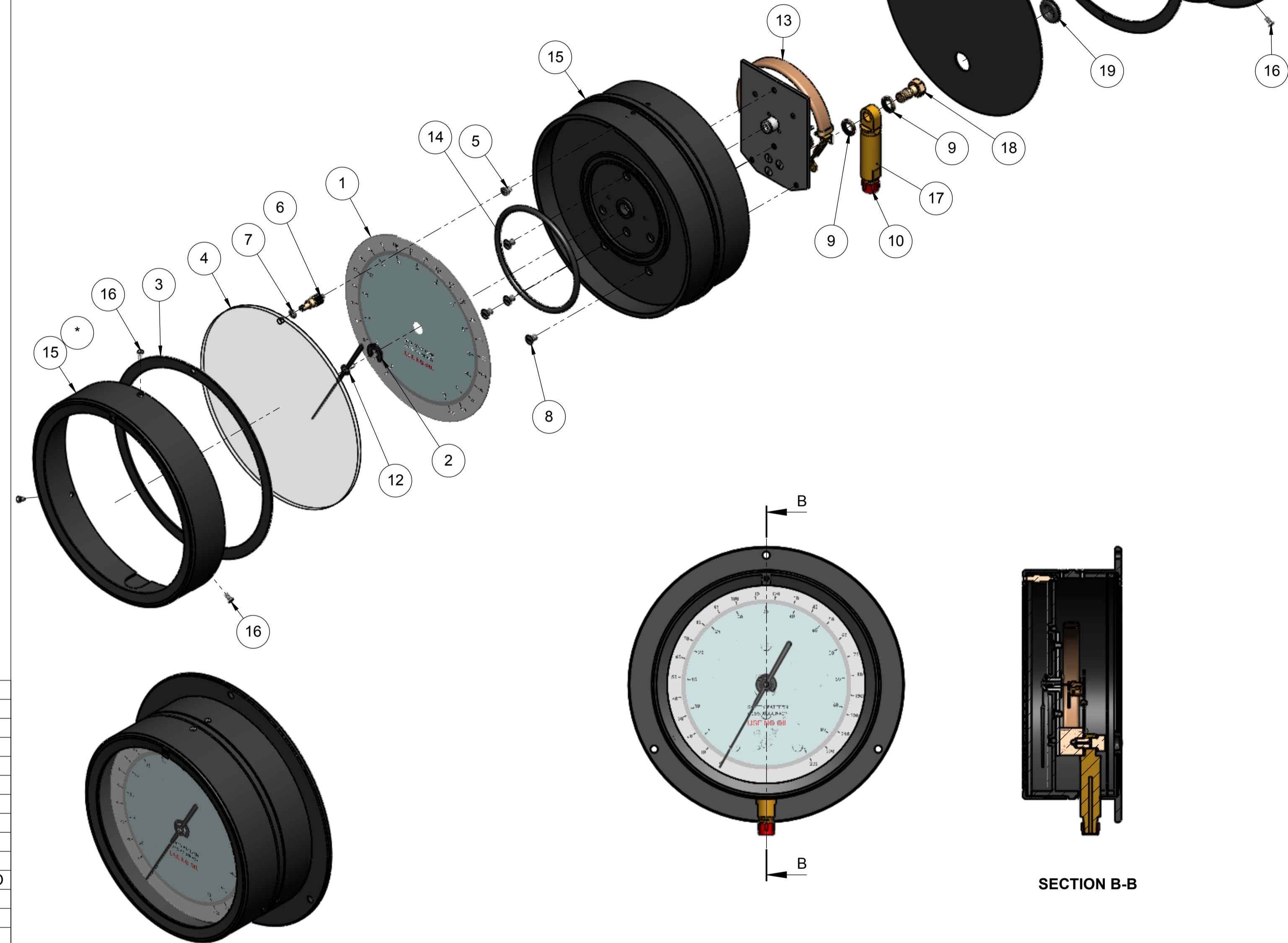
ITEM NO.	PART NO.	DESCRIPTION	QTY.
1	GP604	DIAL, C/W DIVEX LOGO, 8.5"	1
2	GPX010	CLIP, 'C', MOULDED	1
3	GP726	GASKET, FLEXIMOUNT GAUGE, 60 SHORE, 8.5"	2
4	GP601	WINDOW, 8.5"	1
5	GPX008	BUSH, CASE, DEPTH GAUGE	1
6	GP626	ZERO RESET DRIVE	1
7	GP598	ZERO RESET O-RINGS	1
8	GP655	SCREW, M/C, CSK, SLOTTED, M5 x 10 SS	4
9	GP634	SEAL, BONDED (SELF CENTERING), 1/8" BSP	2
10	GP673	CAP, DUST, RED, 1/4" NPT	1
11	GP592	8.5" CAISSON BACKS	1
12	GP607	POINTER, C/W HUB, FLEXIMOUNT GAUGE, 8.5"	1
13	SEE VARIANT TABLE	MOVEMENT SUB ASSEMBLY 6 TO 60 BAR	1 - ALL ASSYS
14	GP597	O-RING, 104.4 I.D. x 1.78 C.S.	1
15	GP680	CASE, FLEXIMOUNT GAUGE, 8.5"	1
16	FN0691	SCREW, C/SNK HD, M3 x 8mm	6
17	GP697	CONNECTOR, BANJO, 8.5" FLEXIMOUNT GAUGE, 1/4" NPT	1
18	GP696	BOLT, BANJO CONNECTOR, FLEXIMOUNT GAUGE	1
19	E12696	GROMMET, BLANKING, 20mm	1



SECTION A-A

VARIANT TABLE			
PART NO.	DESCRIPTION	PART NO.	DESCRIPTION
GP782	MOVEMENT SUB ASSY, 6", 2.5 BAR	GP350	GAUGE, FLEXI DEPTH, 8.5" DIA, PR 80FT/25MT, 0.25% ACC
		GP350HT	GAUGE, FLEXI DEPTH, 8.5" PR 80FT/25MT, 0.25% ACC
GP783	MOVEMENT SUB ASSY, 6", 4.0 BAR	GP358	GAUGE, FLEXI DEPTH, 8.5" PR, 0-30 MTR SINGLE SCALE
		GP3581	GAUGE, FLEXI DEPTH, 8.5" PR, 0-30 MTR SINGLE SCALE
GP784	MOVEMENT SUB ASSY, 6", 6.0 BAR	GP351	GAUGE, FLEXI DEPTH, 8.5", PR 230FT/70MT, 0.25% ACC
		GP351HT	GAUGE, FLEXI DEPTH, 8.5", PR 230FT/70MT, 0.25% ACC
		GP352	GAUGE, FLEXI DEPTH, 8.5", PR 300FT/90MT, 0.25% ACC
GP785	MOVEMENT SUB ASSY, 6", 10.0 BAR	GP352BM	GAUGE, FLEXI DEPTH, 8.5", PR 300FT, 0.25% ACC C/W LOGO
		GP352HT	GAUGE, FLEXI DEPTH, 8.5" PR, 0-90MTR/9 BAR, 0.25% ACC
		GP357	GAUGE, FLEXI DEPTH, 8.5" PR, 0-100MTR SINGLE SCALE
		GP3571	GAUGE, FLEXI DEPTH, 8.5" PR 0-100 MTR SINGLE SCALE
GP787	MOVEMENT SUB ASSY, 6", 25.0 BAR	GP353	GAUGE, FLEXI DEPTH, 8.5", PR 720FT/220MT, 0.25% ACC
		GP354	GAUGE, FLEXI DEPTH, 8.5", PR 1200FT/360MT, 0.25% ACC
GP788	MOVEMENT SUB ASSY, 6", 40.0 BAR	GP354AA	GAUGE, FLEXI DEPTH, 8.5", PR 360MT ONLY, 0.25%
		GP355	GAUGE, FLEXI DEPTH, 8.5", PR 1500FT/450MT, 0.25% ACC
GP789	MOVEMENT SUB ASSY, 6", 60.0 BAR	GP356	GAUGE, FLEXI DEPTH, 8.5", PR 2000FT/600MT, 0.25% ACC
		GP359AB	GAUGE, FLEXI DEPTH, 8.5", PR 1650FT/500MT, 0.25% ACC

ISOMETRIC VIEW



SECTION B-B

ISOMETRIC VIEW

VARIANT TABLE			
PART NO.	DESCRIPTION	PART NO.	DESCRIPTION
GP784	MOVEMENT SUB ASSY, 6", 6.0 BAR	GP351AB	GAUGE, DEPTH, 8.5" DIA, RF, BTM CON, 230FT/70M 0.25%ACC

DIVEX OWNS THE COPYRIGHT OF THIS DOCUMENT AND ANY DESIGN RIGHT HEREIN. IT IS SUPPLIED IN CONFIDENCE AND MUST NOT BE USED FOR ANY PURPOSE OTHER THAN THAT FOR WHICH IT IS SUPPLIED AND MUST NOT BE REPRODUCED WITHOUT PERMISSION IN WRITING FROM THE OWNERS.

NOTES

ALL DIMENSIONS SHOWN ARE IN MM (UOS)  
ALL DIMENSIONS BEFORE PLATING (UOS)  
REMOVE ALL SHARP EDGES AND BURRS

DIMENSIONAL TOLERANCES  
MACHINING FABRICATION

NO DECIMAL PLACES	±1.0	SIZE >0 <100	±0.5
ONE DECIMAL PLACE	±0.2	SIZE >100 <500	±1.5
TWO DECIMAL PLACE	±0.05	SIZE >500	±3.0
ANGULAR TOLERANCE	±0.5°	ANGULAR TOLERANCE	±0.5°

MATERIAL

SEE PARTS LIST

FINISH

N/A

THIRD ANGLE PROJECTION

REV	DESCRIPTION	ECN No	BY	DATE	AUTH BY
R06					
R05					
R04					
R03					
R02	GP593 REPLACED WITH GP592 & GP629 REMOVED	14787	ZD	29/05/2012	MS
R01	GP351 & GP351HT MOVEMENT ASSY REPLACED WITH GP784, GP737 REPLACED WITH GP697 IN GP351AB	13595	DR	08/07/2010	SW
R00	ISSUED FOR MANUFACTURE		SJ	27/08/2008	MS

TITLE	
<b>GAUGE, FLEXIMOUNT, 8.5", ALL VARIANTS</b>	
DRAWING No.	REV
<b>GP350S1</b>	<b>R02</b>
PART No.	PRODUCT / PROJECT No.
REFER TO VARIANTS TABLE	GAUGES
SIZE	SCALE
A1	1:3
SHT	OF
1	1

DIVEX LIMITED  
ENTERPRISE DRIVE  
WESTHILL  
ABERDEEN  
AB32 6TQ  
UNITED KINGDOM

Tel : +44(0)1224 740145  
Fax : +44(0)1224 740172  
email : info@divexglobal.com  
www.divexglobal.com

△ - DENOTES CHANGES MADE AT THIS REVISION.

**DO NOT SCALE DRAWING**