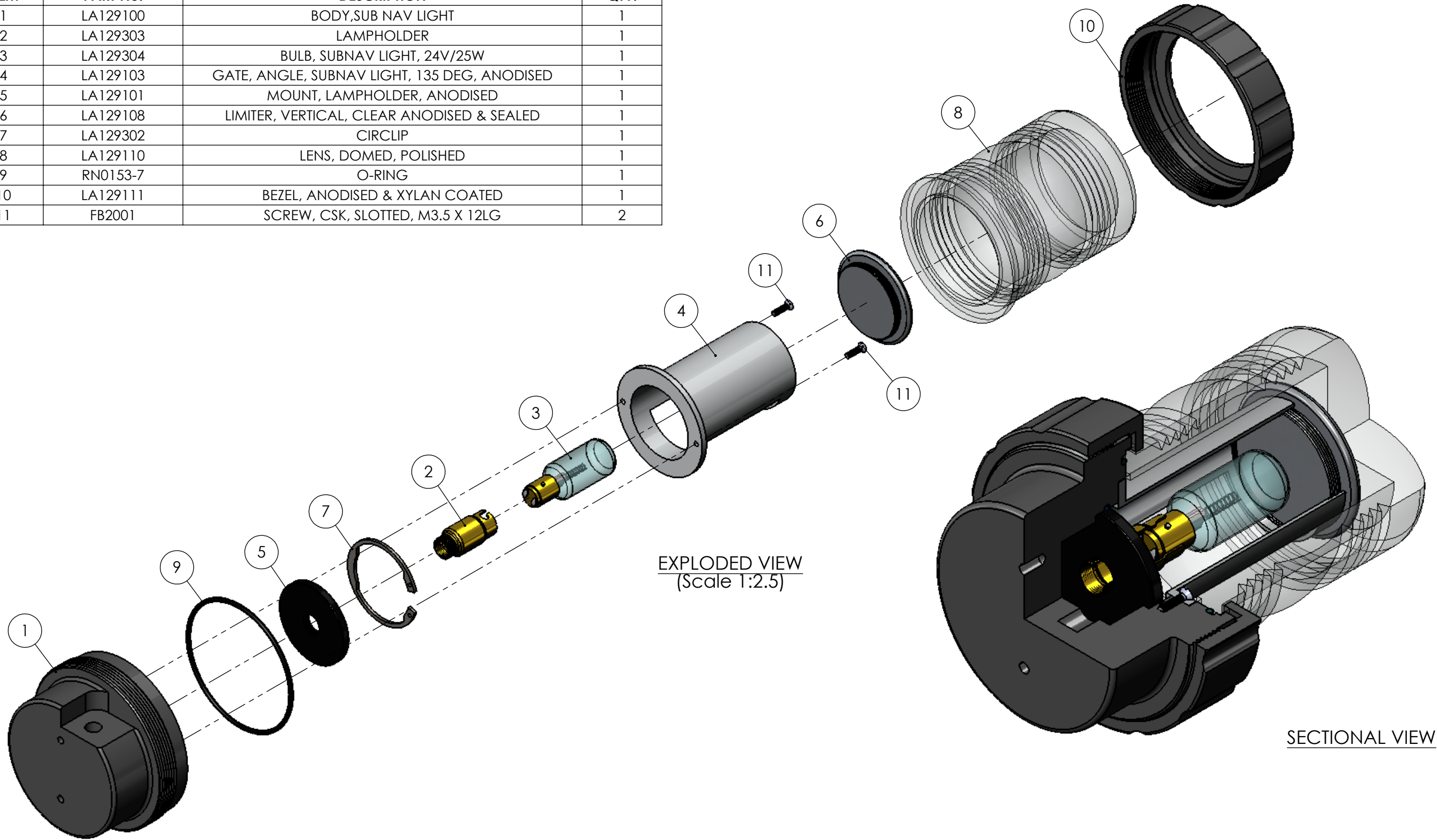



ITEM	PART No.	DESCRIPTION	QTY.
1	LA129100	BODY,SUB NAV LIGHT	1
2	LA129303	LAMPHOLDER	1
3	LA129304	BULB, SUBNAV LIGHT, 24V/25W	1
4	LA129103	GATE, ANGLE, SUBNAV LIGHT, 135 DEG, ANODISED	1
5	LA129101	MOUNT, LAMPHOLDER, ANODISED	1
6	LA129108	LIMITER, VERTICAL, CLEAR ANODISED & SEALED	1
7	LA129302	CIRCLIP	1
8	LA129110	LENS, DOMED, POLISHED	1
9	RN0153-7	O-RING	1
10	LA129111	BEZEL, ANODISED & XYLAN COATED	1
11	FB2001	SCREW, CSK, SLOTTED, M3.5 X 12LG	2




EXPLODED VIEW  
(Scale 1:2.5)

SECTIONAL VIEW

DIVEX OWNS THE COPYRIGHT OF THIS DOCUMENT AND ANY DESIGN RIGHT HEREIN. IT IS SUPPLIED IN CONFIDENCE AND MUST NOT BE USED FOR ANY PURPOSE OTHER THAN THAT FOR WHICH IT IS SUPPLIED AND MUST NOT BE REPRODUCED WITHOUT PERMISSION IN WRITING FROM THE OWNERS.

NOTES  
EARTH POINT ON LAMPHOLDER  3

 DENOTES CHANGES MADE AT THIS REVISION

ALL DIMENSIONS SHOWN ARE IN MM (UOS) ALL DIMENSIONS BEFORE PLATING (UOS) REMOVE ALL SHARP EDGES AND BURRS			
DIMENSIONAL TOLERANCES		MATERIAL	
MACHINING	FABRICATION	SEE PARTS LIST	
NO DECIMAL PLACES	±1.0	FINISH	
ONE DECIMAL PLACE	±0.2	N/A	
TWO DECIMAL PLACE	±0.05	THIRD ANGLE PROJECTION	
ANGULAR TOLERANCE	±0.5°		

REV	DESCRIPTION	ECN No.	BY	DATE	AUTH. BY
R06					
R05					
R04					
R03	FB694 REMOVED & NOTES ADDED	15396	MJ	18/01/13	SC
R02	ITEM 11 QTY CHANGED. ITEM 12 ADDED.	14157	JJM	04/07/11	CST
R01	UPDATE TITLE DESCRIPTION	11494	SJ	10/12/08	RTW
R00	ISSUED FOR MANUFACTURE		NW	19/03/04	RTW

TITLE <b>LIGHT, NAVIGATION, STERN 135°, WHITE, ASSEMBLY</b>	
DRAWING No. <b>LA12915S1</b>	REV <b>R03</b>
PART No. <b>LA129AE</b>	PRODUCT / PROJECT No. <b>AQUABEAM</b>
SIZE <b>A3</b>	SCALE <b>1:1.5</b>
SHEET <b>1</b> OF <b>1</b>	



DIVEX LIMITED  
ENTERPRISE DRIVE  
WESTHILL  
ABERDEEN  
AB32 6TQ  
UNITED KINGDOM

Tel : +44(0)1224 740145  
Fax : +44(0)1224 740172  
email : info@divexglobal.com  
www.divexglobal.com