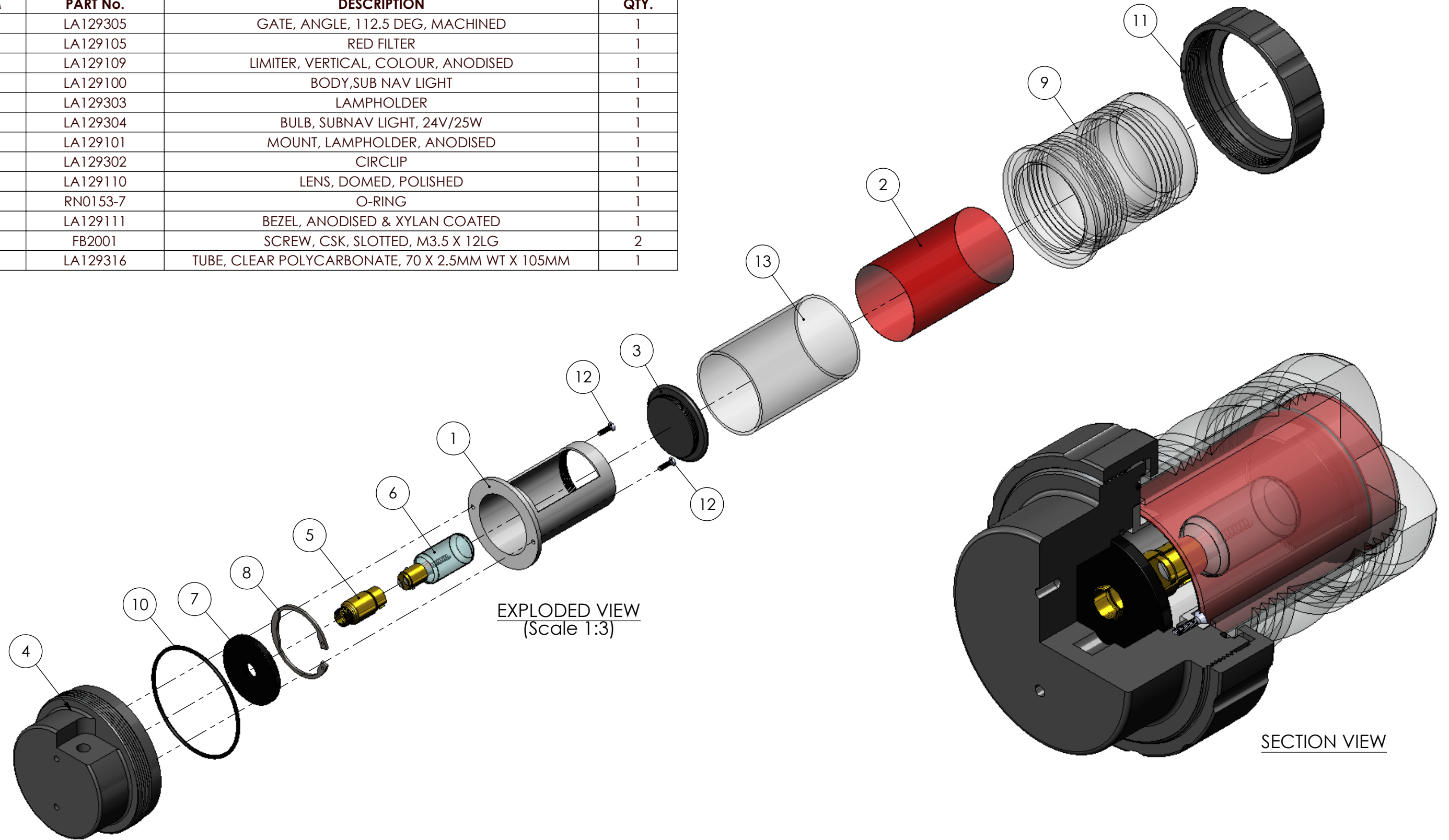


ITEM	PART No.	DESCRIPTION	QTY.
1	LA129305	GATE, ANGLE, 112.5 DEG, MACHINED	1
2	LA129105	RED FILTER	1
3	LA129109	LIMITER, VERTICAL, COLOUR, ANODISED	1
4	LA129100	BODY, SUB NAV LIGHT	1
5	LA129303	LAMPHOLDER	1
6	LA129304	BULB, SUBNAV LIGHT, 24V/25W	1
7	LA129101	MOUNT, LAMPHOLDER, ANODISED	1
8	LA129302	CIRCLIP	1
9	LA129110	LENS, DOMED, POLISHED	1
10	RN0153-7	O-RING	1
11	LA129111	BEZEL, ANODISED & XYLAN COATED	1
12	FB2001	SCREW, CSK, SLOTTED, M3.5 X 12LG	2
13	LA129316	TUBE, CLEAR POLYCARBONATE, 70 X 2.5MM WT X 105MM	1



EXPLODED VIEW  
(Scale 1:3)

SECTION VIEW

DIVEX OWNS THE COPYRIGHT OF THIS DOCUMENT AND ANY DESIGN RIGHT HEREIN. IT IS SUPPLIED IN CONFIDENCE AND MUST NOT BE USED FOR ANY PURPOSE OTHER THAN THAT FOR WHICH IT IS SUPPLIED AND MUST NOT BE REPRODUCED WITHOUT PERMISSION IN WRITING FROM THE OWNERS.

NOTES  
EARTH POINT ON LAMPHOLDER

DENOTES CHANGES MADE AT THIS REVISION

ALL DIMENSIONS SHOWN ARE IN MM (UOS)  
ALL DIMENSIONS BEFORE PLATING (UOS)  
REMOVE ALL SHARP EDGES AND BURRS

DIMENSIONAL TOLERANCES			
MACHINING		FABRICATION	
NO DECIMAL PLACES	±1.0	SIZE >0 <100	±0.5
ONE DECIMAL PLACE	±0.2	SIZE >100 <500	±1.5
TWO DECIMAL PLACE	±0.05	SIZE >500	±3.0
ANGULAR TOLERANCE	±0.5°	ANGULAR TOLERANCE	±0.5°

MATERIAL  
SEE PARTS LIST

FINISH  
N/A

THIRD ANGLE PROJECTION

REV	DESCRIPTION	ECN No.	BY	DATE	AUTH. BY
R06					
R05					
R04					
R03	FB694 REMOVED & NOTES ADDED	15396	MJ	18/01/13	SC
R02	ITEM 12 QTY CHANGED. ITEMS 13 & 14 ADDED.	14157	JJM	06/08/11	CST
R01	UPDATE TITLE DESCRIPTION	11494	SJ	19/03/09	RTW
R00	ISSUED FOR MANUFACTURE		JG	26/03/04	RTW

TITLE	
<b>LIGHT, NAVIGATION, PORT, RED, 112.5°, ASSEMBLY</b>	
DRAWING No.	REV
LA12913S1	R03
PART No.	PRODUCT / PROJECT No.
LA129AC	AQUABEAM
SIZE	SCALE
A3	1:1.5 (UOS)
SHEET	OF
1	1

DIVEX LIMITED  
ENTERPRISE DRIVE  
WESTHILL  
ABERDEEN  
AB32 6TQ  
UNITED KINGDOM

Tel : +44(0)1224 740145  
Fax : +44(0)1224 740172  
email : info@divexglobal.com  
www.divexglobal.com