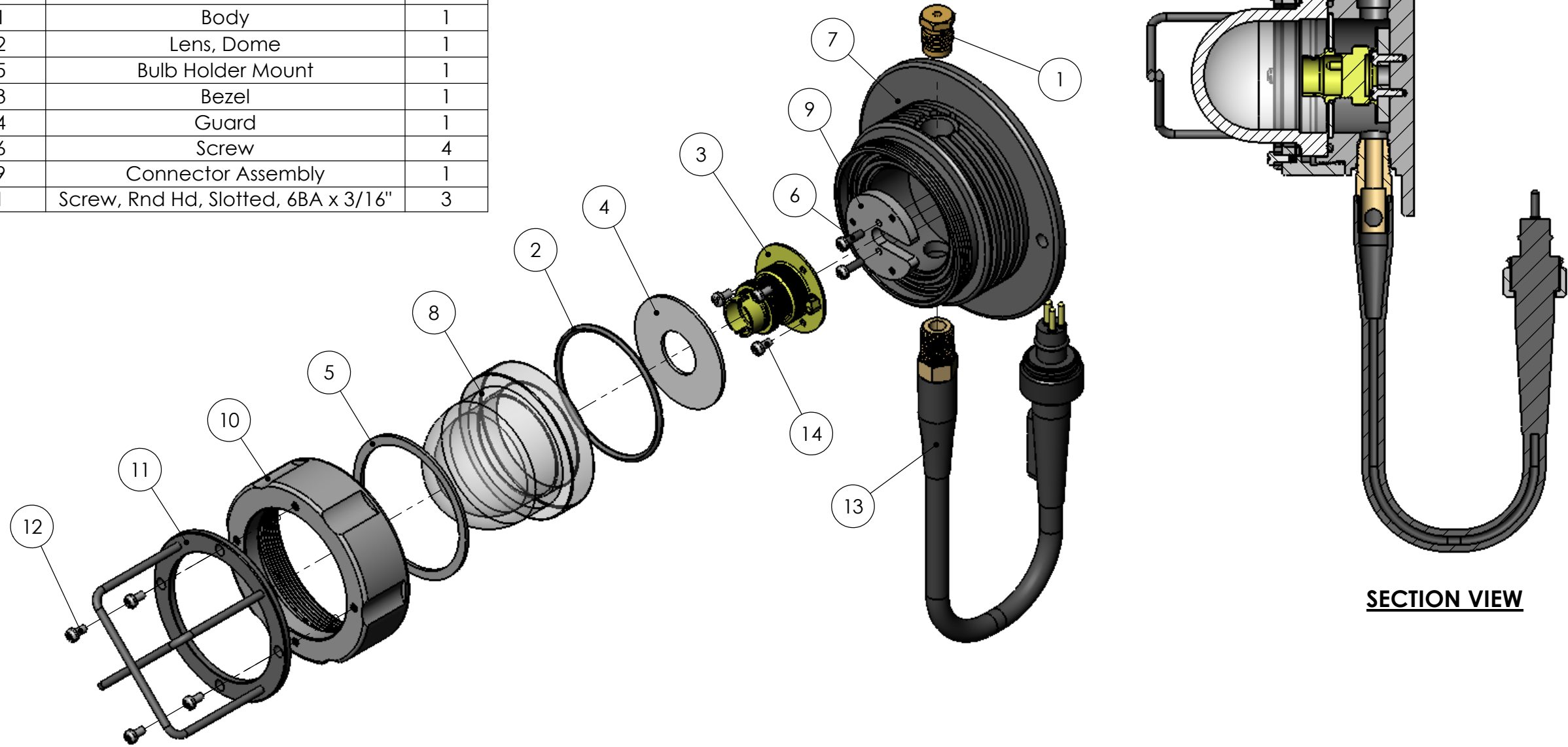



ITEM NO.	PART No.	DESCRIPTION	Qty.
1	LA104	Relief valve	1
2	LA105	O-Ring	1
3	LA119	Bulbholder c/w Lockring	1
4	LA120	Reflector	1
5	LA085	Washer, Lens	1
6	LA118	Screw	2
7	LA101	Body	1
8	LA152	Lens, Dome	1
9	LA125	Bulb Holder Mount	1
10	LA123	Bezel	1
11	LA124	Guard	1
12	LA126	Screw	4
13	LA099	Connector Assembly	1
14	FB251	Screw, Rnd Hd, Slotted, 6BA x 3/16"	3



**SECTION VIEW**

THIRD ANGLE PROJECTION		MATERIAL: SEE PARTS LIST				FINISH: -				DIVEX OWNS THE COPYRIGHT OF THIS DOCUMENT AND ANY DESIGN RIGHT EMBODIED HEREIN. IT IS SUPPLIED IN CONFIDENCE AND MUST NOT BE USED FOR ANY PURPOSE OTHER THAN THAT FOR WHICH IT IS SUPPLIED AND MUST NOT BE REPRODUCED WITHOUT PERMISSION IN WRITING FROM THE OWNERS		 DIVEX LIMITED ENTERPRISE DRIVE WESTHILL ABERDEEN, AB32 6TQ UNITED KINGDOM.		TEL : +44 (0)1224 740145 FAX : +44 (0)1224 740172 email : info@divex.co.uk www.divex.co.uk		A3	
REV	DESCRIPTION OF REVISION	ECN	DRAWN BY	DATE	DRAFTING CHECK BY	DATE	ENGINEER CHECK BY	DATE	APPROVAL BY	DATE	ALL DIMENSIONS IN MM (UOS)	SCALE	PRODUCT	TITLE	DRG No.	SHT	REV
2	FB251 ADDED	5742	GC	07.06.05	RTW	16.06.05	RTW	16.06.05	RTW	16.06.05	ALL DIMENSIONS BEFORE PLATING (UOS)	NTS	AQUABEAM	<b>HB21 HYPERBARIC LIGHT C/W CONNECTOR</b>	LA116	1	2
1	UPDATED	5252	GC	08.10.04	RTW	01.12.04	RTW	01.12.04	RTW	01.12.04	REMOVE SHARP EDGES & BURRS	PART No.					
0	ISSUED FOR MANUFACTURE	N/A	PW	10.10.03	NL	05.11.03	NL	05.11.03	RTW	05.11.03	DIMENSIONAL TOLERANCES: NO DECIMAL PLACES ±1.0 ONE DECIMAL PLACE ±0.2 TWO DECIMAL PLACES ±0.05 ANGULAR TOLERANCE ±0.5°	CAD REF No.	LA116S1				