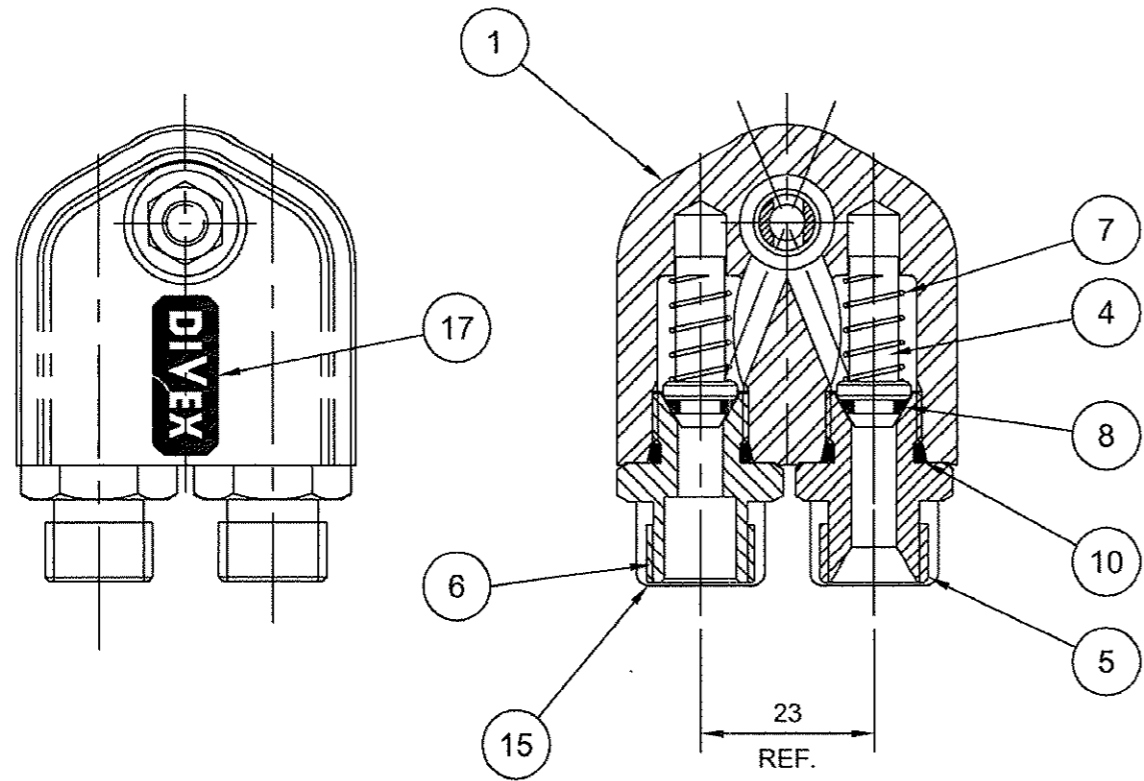
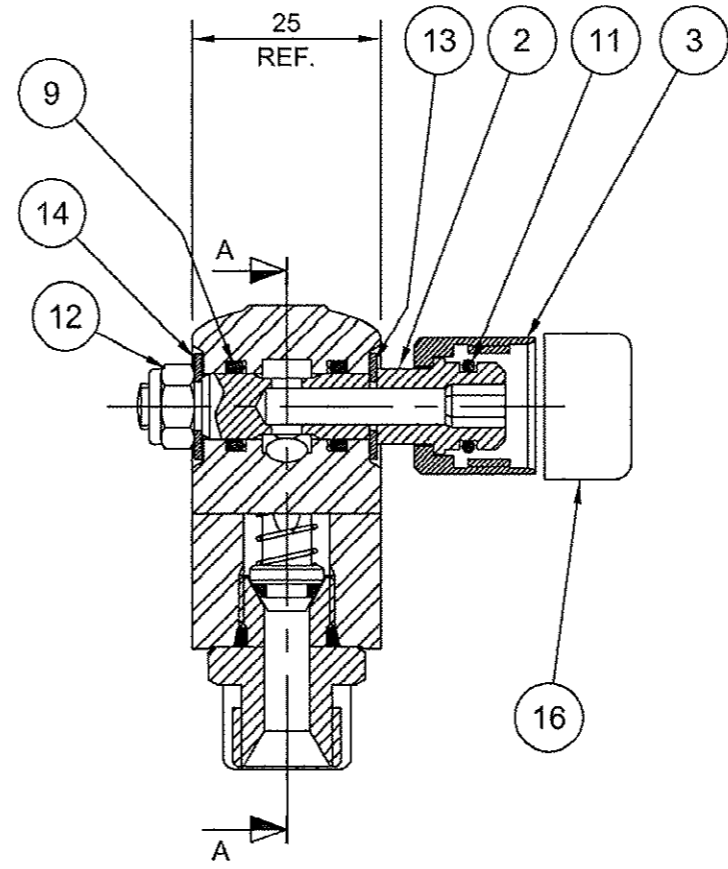


U0710

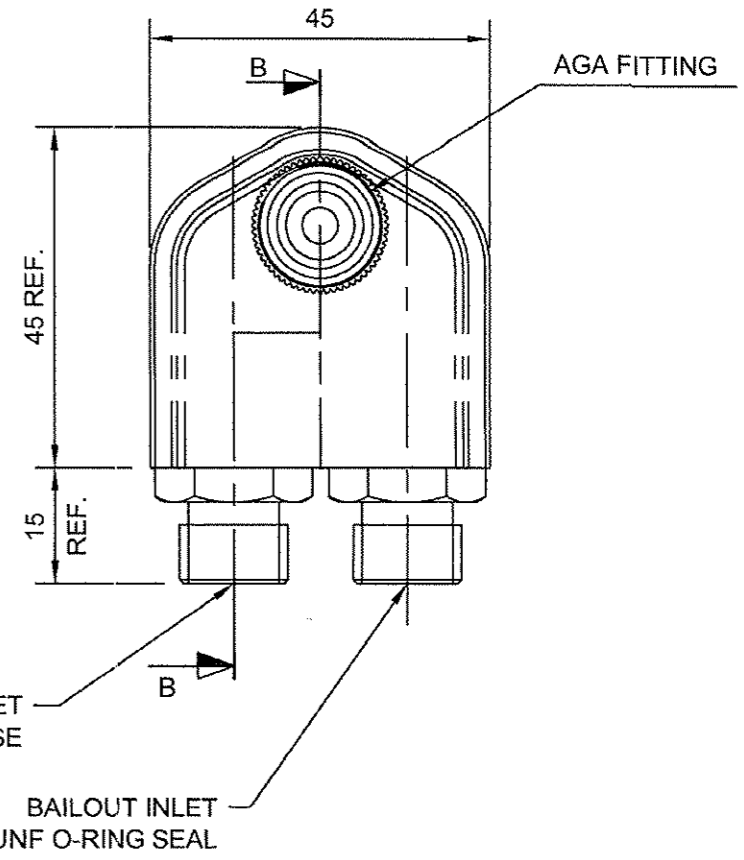
Item No.	Org. No.	Part No.	Description	Qty
1	U0708	DD020336	BODY, NON RETURN VALVE	1
2	U0704	DD020317	SPINDLE	1
3	U1267	DD332043	NUT, AGA, Mk2	1
4	U0709	DD020337	POPPET	2
5	U0705	DD020319	ADAPTOR, INLET, 9/16" B/N- SAE 1/2"	1
6	U0810	DD020328	ADAPTOR, INLET, 9/16" "O" - SAE 1/2"	1
7	-	DD020338	SPRING	2
8	-	DD020321	O-RING, 4.7ID x 1.78SECT.	2
9	-	DD020322	O-RING, 8.7ID x 1.78SECT.	2
10	-	DD020323	O-RING, 10.5ID x 1.83SECT.	2
11	-	DE1072	O-RING, HOSE TAIL, AGA	1
12	-	DD020335	NUT, NYLOC, M6 x 6 LONG	1
13	-	DD020330	WASHER, 14 O.D.x 9 I.D.x 1	1
14	-	DD020331	WASHER, 14 O.D x 6 I.D.x 1	1
15	-	DD332367	DUSTCAP	2
16	-	DD332375	DUSTCAP	1
17	-	T14760	BADGE, ENAMEL, DIVEX LOGO	1



SECTION 'A - A'



SECTION 'B - B'



THIRD ANGLE PROJECTION 		MATERIAL: -					FINISH: -		DIVEX OWNS THE COPYRIGHT OF THIS DOCUMENT AND ANY DESIGN RIGHT EMBODIED HEREIN. IT IS SUPPLIED IN CONFIDENCE AND MUST NOT BE USED FOR ANY PURPOSE OTHER THAN THAT FOR WHICH IT IS SUPPLIED AND MUST NOT BE REPRODUCED WITHOUT PERMISSION IN WRITING FROM THE OWNERS.			DIVEX		A3		
4	ITEM No. 7 CHANGED	4388	PW	14.7.03	<i>RTW</i>	<i>RTW</i>	<i>RTW</i>	ALL DIMENSIONS IN MM (UOS)	DRAWN:	SRB	DATE	21/07/00	SCALE 1 : 1	TITLE AGA DOUBLE MANIFOLD, TWIN NON RETURN VALVE, ASSEMBLY		
3	THREAD LENGTH ON SPINDLE REDUCED	3852	PW	1.4.03	RTW	RTW	RTW	ALL DIMENSIONS BEFORE PLATING (UOS)	DRAFT. CHECK:	RTW	DATE	27/10/00				
2	UPDATED	3459	PW	1.8.01	RTW	RTW	RTW	REMOVE SHARP EDGES & BURRS	ENG. CHECK:	RTW	DATE	27/10/00	PRODUCT AGA			
1	UPDATED	3425	PW	26.4.01	RTW	RTW	RTW	DIMENSIONAL TOLERANCES: NO DECIMAL PLACES ±1.0 ONE DECIMAL PLACE ±0.2 TWO DECIMAL PLACES ±0.05 ANGULAR TOLERANCE ±0.5°	APPROVED:	DRS	DATE	27/10/00				
REV	DESCRIPTION OF REVISION	ECN	BY	DATE	DRAFT CHECK	ENG CHECK	APPD		CAD REF No.	14143-4	PART No.	DD020102	DRG No.	U0710	SHT 1	REV 4