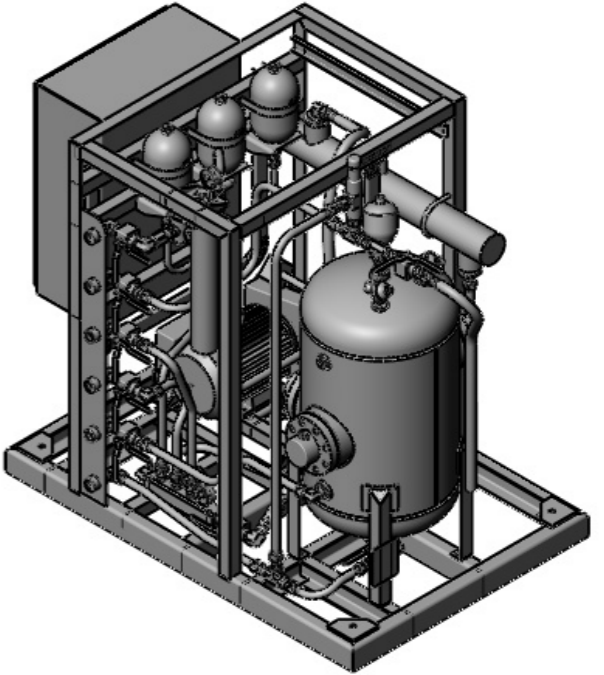
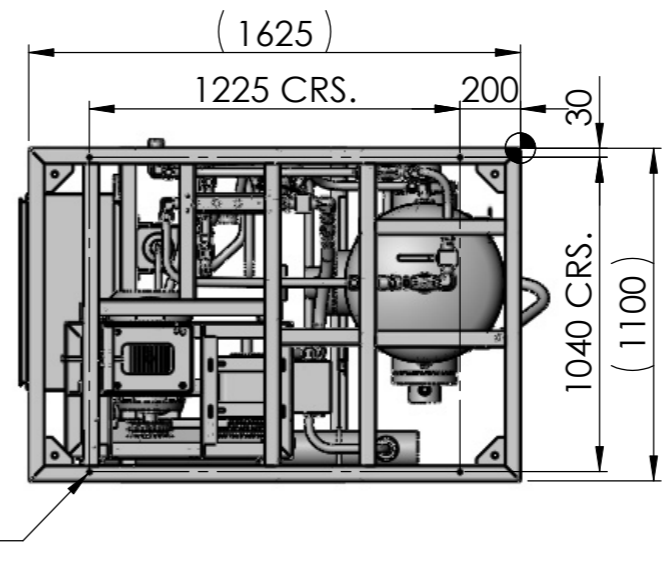


CONNECTIONS		
I.D.	DESCRIPTION	CONNECTION
A	INLET	1" (F) NPT
B	HOT OUTLET	1" (F) NPT
C	COLD OUTLET	1" (F) NPT
D	BYPASS	1" (F) NPT
E	SIPHON	1" (F) NPT
F	DRAIN	1" (F) NPT
G	440V 60HZ ELECTRICAL CONNECTION	GLAND
H	IO ELECTRICAL CONNECTION	GLAND



ISOMETRIC VIEW

<p>DIVEX OWNS THE COPYRIGHT OF THIS DOCUMENT AND ANY DESIGN RIGHT HEREIN. IT IS SUPPLIED IN CONFIDENCE AND MUST NOT BE USED FOR ANY PURPOSE OTHER THAN THAT FOR WHICH IT IS SUPPLIED AND MUST NOT BE REPRODUCED WITHOUT PERMISSION IN WRITING FROM THE OWNERS.</p>																																																					
<p>NOTES</p> <p>1. ALL CONNECTIONS ±0.25m</p> <p>2. DRY WEIGHT : 745KG \triangle</p> <p>WET WEIGHT: 895.5KG \triangle</p> <p>\triangle LEGEND</p> <p>\oplus EQUIPMENT DATUM</p> <p>\bullet CONNECTION POINT</p> <p>\oplus COG CENTRE OF GRAVITY</p>		<p>ALL DIMENSIONS SHOWN ARE IN MM (UOS)</p> <p>ALL DIMENSIONS BEFORE PLATING (UOS)</p> <p>REMOVE ALL SHARP EDGES AND BURRS</p>		<p>MATERIAL</p> <p>N/A</p>		<p>FINISH</p> <p>N/A</p>		<p>THIRD ANGLE PROJECTION</p>		<p>REV</p> <table border="1"> <tr> <td>R06</td> <td></td> <td></td> <td></td> <td></td> <td></td> </tr> <tr> <td>R05</td> <td></td> <td></td> <td></td> <td></td> <td></td> </tr> <tr> <td>R04</td> <td></td> <td></td> <td></td> <td></td> <td></td> </tr> <tr> <td>R03</td> <td></td> <td></td> <td></td> <td></td> <td></td> </tr> <tr> <td>R02</td> <td>CENTRE OF GRAVITY DETAILS ADDED, TOP OF FLOOR NOTE, ASSEMBLED MASS & LEGEND UPDATED</td> <td>11624</td> <td>JM</td> <td>21/11/08</td> <td>FP</td> </tr> <tr> <td>R01</td> <td>REPRESENTATIVE BOX REPLACED WITH MODEL</td> <td>10046</td> <td>AC</td> <td>23/01/08</td> <td>MR</td> </tr> <tr> <td>R00</td> <td>ISSUED FOR MANUFACTURE</td> <td></td> <td>AC</td> <td>10/10/07</td> <td>MR</td> </tr> </table>		R06						R05						R04						R03						R02	CENTRE OF GRAVITY DETAILS ADDED, TOP OF FLOOR NOTE, ASSEMBLED MASS & LEGEND UPDATED	11624	JM	21/11/08	FP	R01	REPRESENTATIVE BOX REPLACED WITH MODEL	10046	AC	23/01/08	MR	R00	ISSUED FOR MANUFACTURE		AC	10/10/07	MR
R06																																																					
R05																																																					
R04																																																					
R03																																																					
R02	CENTRE OF GRAVITY DETAILS ADDED, TOP OF FLOOR NOTE, ASSEMBLED MASS & LEGEND UPDATED	11624	JM	21/11/08	FP																																																
R01	REPRESENTATIVE BOX REPLACED WITH MODEL	10046	AC	23/01/08	MR																																																
R00	ISSUED FOR MANUFACTURE		AC	10/10/07	MR																																																
<p>POTABLE WATER SYSTEM, INTERFACE INFORMATION</p>		<p>PRODUCT / PROJECT No. N/A</p>		<p>PART No. PWS100AA.</p>		<p>DRAWING No. IFD1001021S1</p>		<p>SIZE A3</p>		<p>SCALE 1:25</p>		<p>SHEET OF 1 1</p>		<p>REV R02</p>																																							
<p>DO NOT SCALE DRAWING</p>																																																					

DIVEX
 DIVEX LIMITED
 ENTERPRISE DRIVE
 WESTHILL
 ABERDEEN
 AB32 6TQ
 UNITED KINGDOM
 Tel : +44(0)1224 740145
 Fax : +44(0)1224 740172
 email : info@divexglobal.com
 www.divexglobal.com