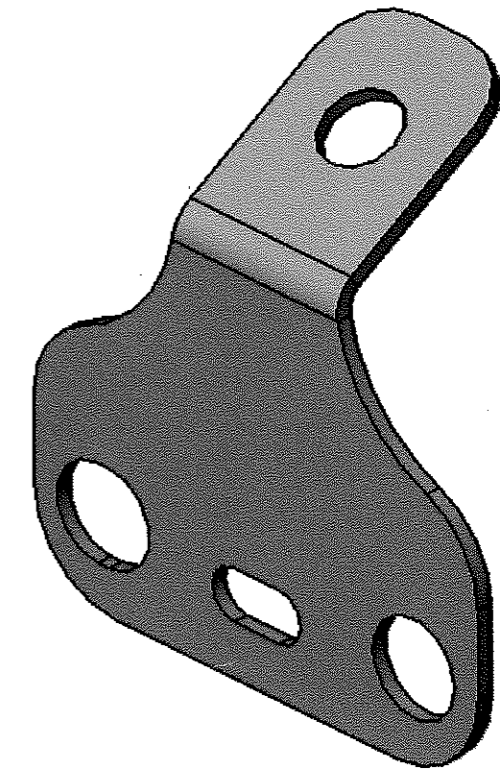
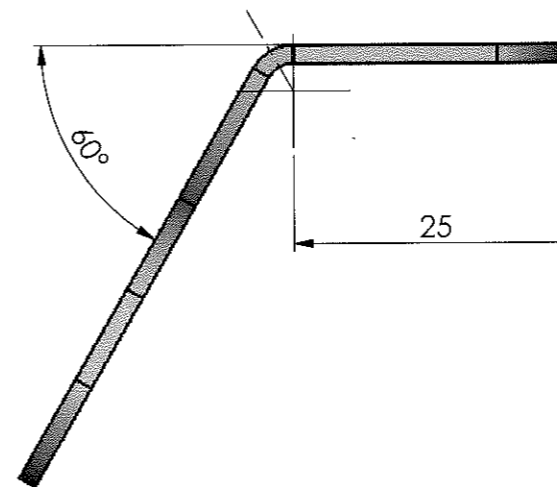
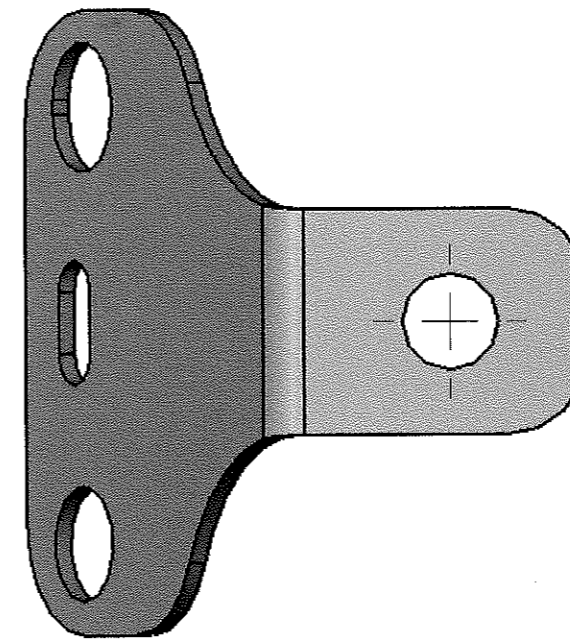


BRACKET BLANK (Part No. LA156300)



ISOMETRIC

FINISHED PART AFTER BENDING

THIRD ANGLE PROJECTION 		MATERIAL: LA156300				FINISH: AS SUPPLIED				DIVERX OWNS THE COPYRIGHT OF THIS DOCUMENT AND ANY DESIGN RIGHT EMBODIED HEREIN. IT IS SUPPLIED IN CONFIDENCE AND MUST NOT BE USED FOR ANY PURPOSE OTHER THAN THAT FOR WHICH IT IS SUPPLIED AND MUST NOT BE REPRODUCED WITHOUT PERMISSION IN WRITING FROM THE OWNERS		 DIVERX LIMITED ENTERPRISE DRIVE WESTHILL ABERDEEN, AB32 6TQ UNITED KINGDOM. TEL : +44 (0)1224 740145 FAX : +44 (0)1224 740172 email : info@divex.co.uk www.divex.co.uk		A3
		ALL DIMENSIONS IN MM (UOS)				SCALE 1.5:1		PRODUCT AQUABEAM		TITLE BRACKET, HELMET LIGHT MOUNTING, 60°				
2		UPDATED				ALL DIMENSIONS BEFORE PLATING (UOS)		PART No. LA156AA						
1		PROFILING DETAIL REMOVED				REMOVE SHARP EDGES & BURRS		CAD REF No. LA156AAS1		DRG No. LA156AA				
0		ISSUED FOR MANUFACTURE				DIMENSIONAL TOLERANCES: NO DECIMAL PLACES ±1.0 ONE DECIMAL PLACE ±0.2 TWO DECIMAL PLACES ±0.05 ANGULAR TOLERANCE ±0.5°				SHT 1 REV 2				
REV	DESCRIPTION OF REVISION	ECN	DRAWN BY	DATE	DRAFTING CHECK BY	DATE	ENGINEER CHECK BY	DATE	APPROVAL BY	DATE				