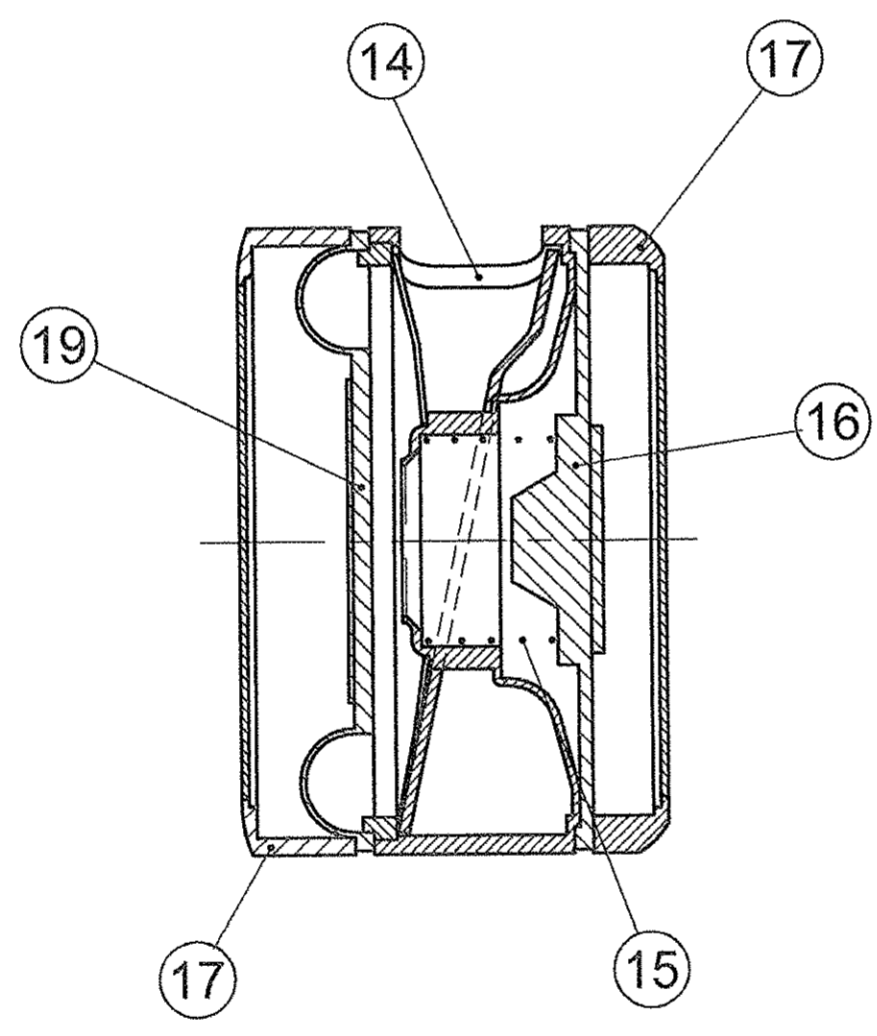


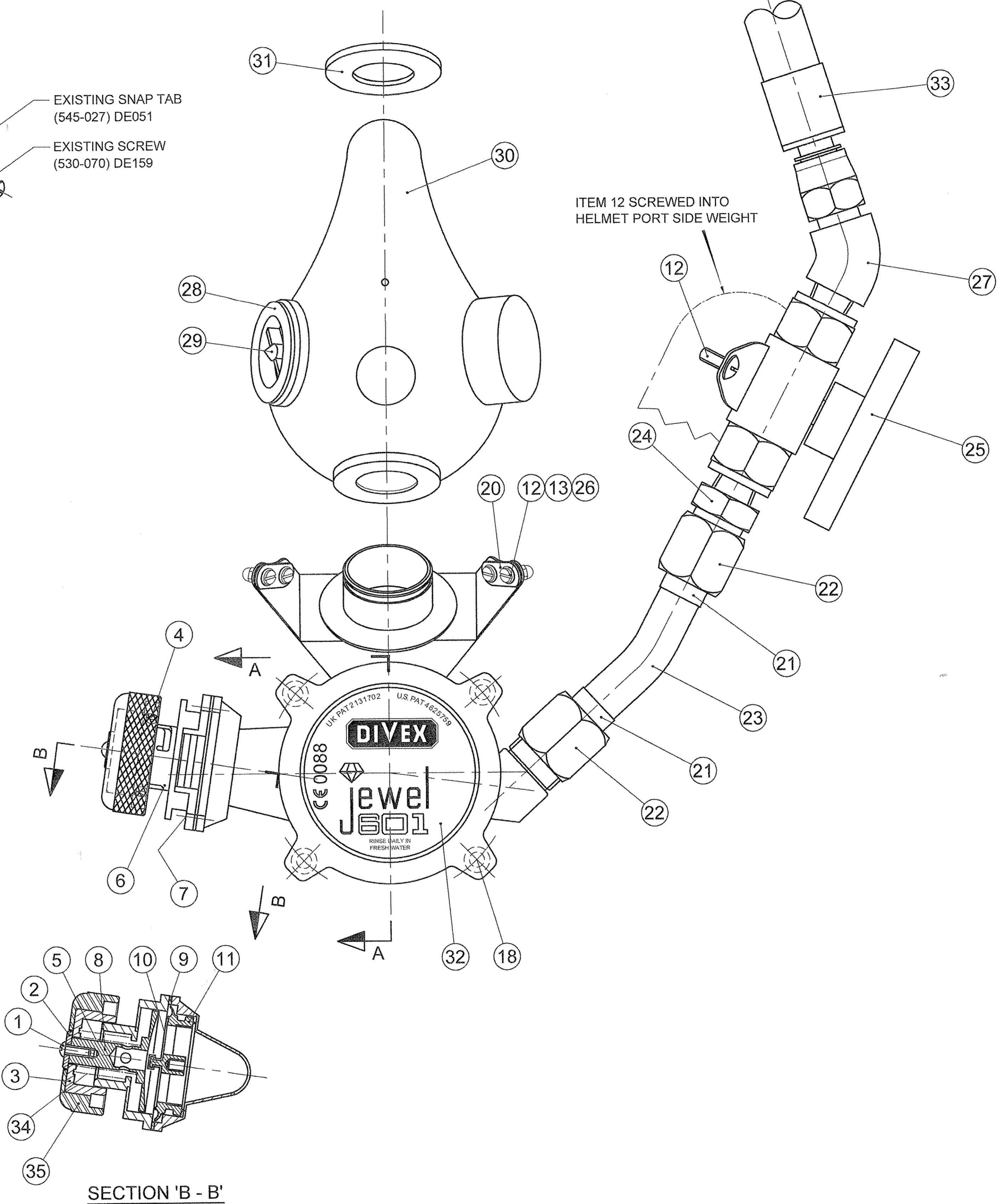
SUPERLITE 17C

SUPERLITE 17B

PORT SIDE WEIGHT FIXING TO HELMET



SECTION 'A - A'



SECTION 'B - B'

THIRD ANGLE PROJECTION 		MATERIAL: MTO : P1831-MT-200				FINISH: -				DIVEX OWNS THE COPYRIGHT OF THIS DOCUMENT AND ANY DESIGN RIGHT EMBODIED HEREIN. IT IS SUPPLIED IN CONFIDENCE AND MUST NOT BE USED FOR ANY PURPOSE OTHER THAN THAT FOR WHICH IT IS SUPPLIED AND MUST NOT BE REPRODUCED WITHOUT PERMISSION IN WRITING FROM THE OWNERS.		 DIVEX LIMITED ENTERPRISE DRIVE WESTHILL ABERDEEN, AB32 6TQ UNITED KINGDOM TEL : +44 (0) 1224 740145 FAX : +44 (0) 1224 740172 email : info@divex.co.uk www.divex.co.uk		A1		
4	PART NUMBER CHANGED	5123	PW	02.08.04	<i>[Signature]</i>	2.8.09	<i>[Signature]</i>	2.8.09	<i>[Signature]</i>	2.8.09	ALL DIMENSIONS IN MM (UOS)	SCALE 1 : 1	PRODUCT ULTRAJEWEL	TITLE ULTRAJEWEL REGULATOR (UPRATED II OPEN CIRCUIT) GENERAL ARRANGEMENT		
3	UPDATED	3554	PW	20.08.01	RTW	20.08.01	RTW	20.08.01	RTW	20.08.01	ALL DIMENSIONS BEFORE PLATING (UOS)	PART No C10110				
2	UPDATED	3519	PW	31.07.01	RTW	31.07.01	RTW	31.07.01	RTW	31.07.01	REMOVE SHARP EDGES & BURRS					
0	ISSUED FOR MANUFACTURE	N/A	RD	04.11.91	ML	08.11.91	ML	08.11.91	DWC	08.11.91	DIMENSIONAL TOLERANCES: NO DECIMAL PLACES ±1.0 ONE DECIMAL PLACE ±0.2 TWO DECIMAL PLACES ±0.05 ANGULAR TOLERANCE ±0.5°	CAD REF No. 4020-4	DRG No. P1831-DG-200			SHT 1
REV	DESCRIPTION OF REVISION	ECN	DRAWN BY	DATE	DRAFTING CHECK BY	DATE	ENGINEER CHECK BY	DATE	APPROVAL BY	DATE						