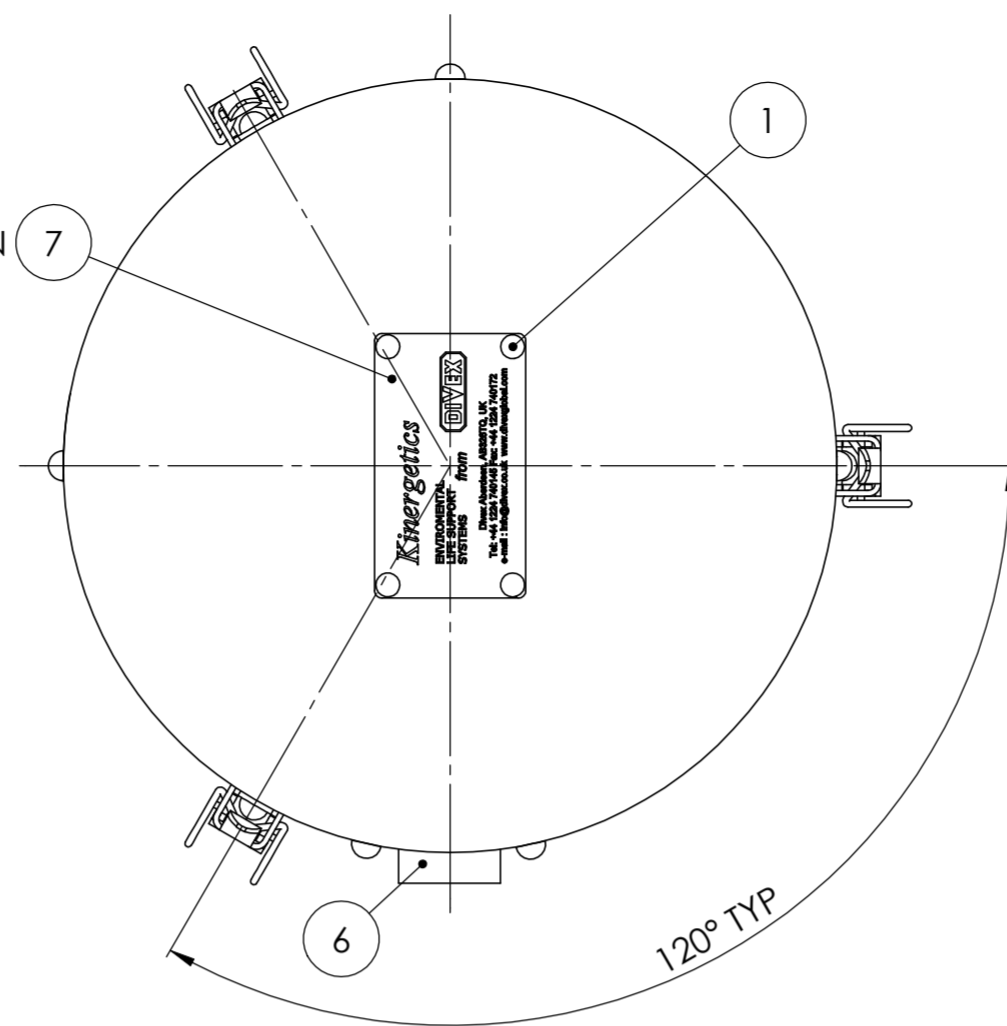


POSITION LABEL
CENTRALLY AS SHOWN



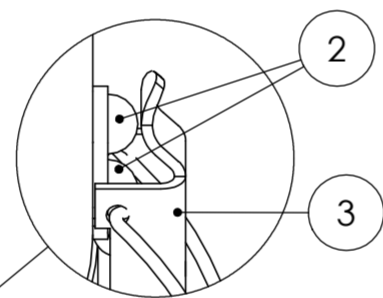
| ITEM NO. | PART NO. | DESCRIPTION | Qty. |
|----------|----------|---|---------|
| 1 | KI10779 | RIVET, POP, 1/8" DIA. X 1/8" LONG | 4 |
| 2 | KI10780 | RIVET, POP, 3/16" X 1/8" | 19 |
| 3 | KI14752 | LATCH | 3 |
| 4 | KI14771 | CAP, END, CANISTER, TOP | 1 |
| 5 | KI14772 | CAP, END | 1 |
| 6 | KI14782 | COIL, RAW, FOR HEATER, DH21 | 1 |
| 7 | KI17170 | NAMEPLATE, KINERGETICS/DIVEX, 70MM X 40MM | 1 |
| 8 | KI17173 | PLATE, PERFORATED, 1MM THK X 5MM HOLE | 2 Sq Ft |



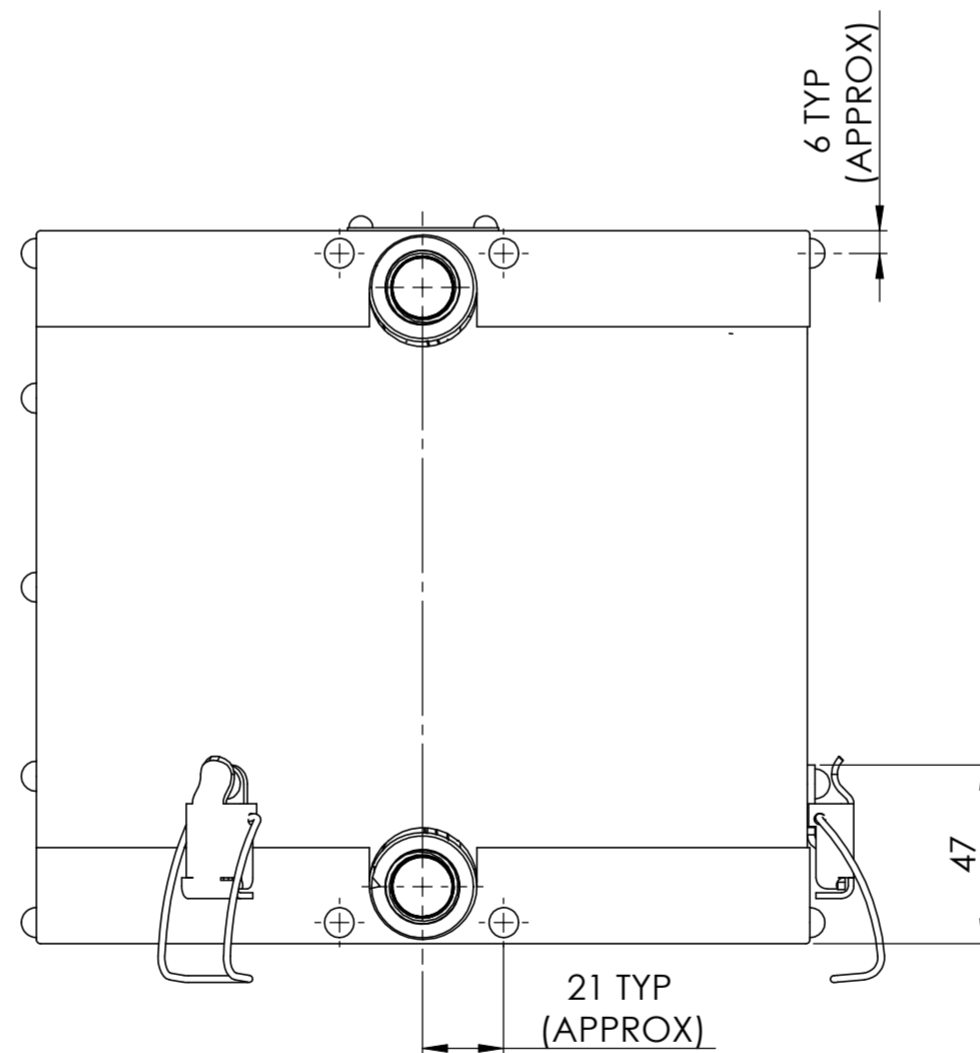
**EXPLODED ISOMETRIC VIEW
SCALE 1:5**



ISOMETRIC VIEW



**DETAIL Z
SCALE 1:1**



DIVEX OWNS THE COPYRIGHT OF THIS DOCUMENT AND ANY DESIGN RIGHT HEREIN. IT IS SUPPLIED IN CONFIDENCE AND MUST NOT BE USED FOR ANY PURPOSE OTHER THAN THAT FOR WHICH IT IS SUPPLIED AND MUST NOT BE REPRODUCED WITHOUT PERMISSION IN WRITING FROM THE OWNERS.

NOTES

ALL DIMENSIONS SHOWN ARE IN MM (UOS)
ALL DIMENSIONS BEFORE PLATING (UOS)
REMOVE ALL SHARP EDGES AND BURRS

| DIMENSIONAL TOLERANCES | | MACHINING | | FABRICATION | |
|------------------------|-------|-------------------|-------|-------------|--|
| NO DECIMAL PLACES | ±1.0 | SIZE >0 <100 | ±0.5 | | |
| ONE DECIMAL PLACE | ±0.2 | SIZE >100 <500 | ±1.5 | | |
| TWO DECIMAL PLACE | ±0.05 | SIZE >500 | ±3.0 | | |
| ANGULAR TOLERANCE | ±0.5° | ANGULAR TOLERANCE | ±0.5° | | |

| | | | | |
|----------|------------------------|--|--|--|
| MATERIAL | REFER TO PARTS LIST | | | |
| FINISH | N/A | | | |
| | THIRD ANGLE PROJECTION | | | |

| | | | | | | | |
|-----|--|--------|----|----------|----------|--|--|
| R06 | | | | | | | |
| R05 | | | | | | | |
| R04 | | | | | | | |
| R03 | | | | | | | |
| R02 | | | | | | | |
| R01 | LATCHES NOW SECURED USING 3/16TH" DIA RIVETS | 12783 | GR | 26-08-09 | GMC | | |
| R00 | ISSUED FOR MANUFACTURE | | GR | 26-02-09 | GMC | | |
| REV | DESCRIPTION | ECN No | BY | DATE | AUTH. BY | | |

| | | | | | | | |
|-----------------------|------------|-------------|----|--|--|-------------|--|
| TITLE | | | | HEATER COIL AND CANISTER ASSEMBLY | | | |
| PRODUCT / PROJECT No. | | | | KINERGETICS | | | |
| PART No. | | DRAWING No. | | PART No. | | DRAWING No. | |
| KI14903 | | KI14903S1 | | KI14903 | | KI14903S1 | |
| SIZE | SCALE | SHT | OF | REV | | | |
| A2 | 1:2 U.O.S. | 1 | 1 | R01 | | | |

DO NOT SCALE DRAWING

DIVEX LIMITED
ENTERPRISE DRIVE
WESTHILL
ABERDEEN
AB32 6TQ
UNITED KINGDOM

Tel : +44(0)1224 740145
Fax : +44(0)1224 740172
email : info@divexglobal.com
www.divexglobal.com