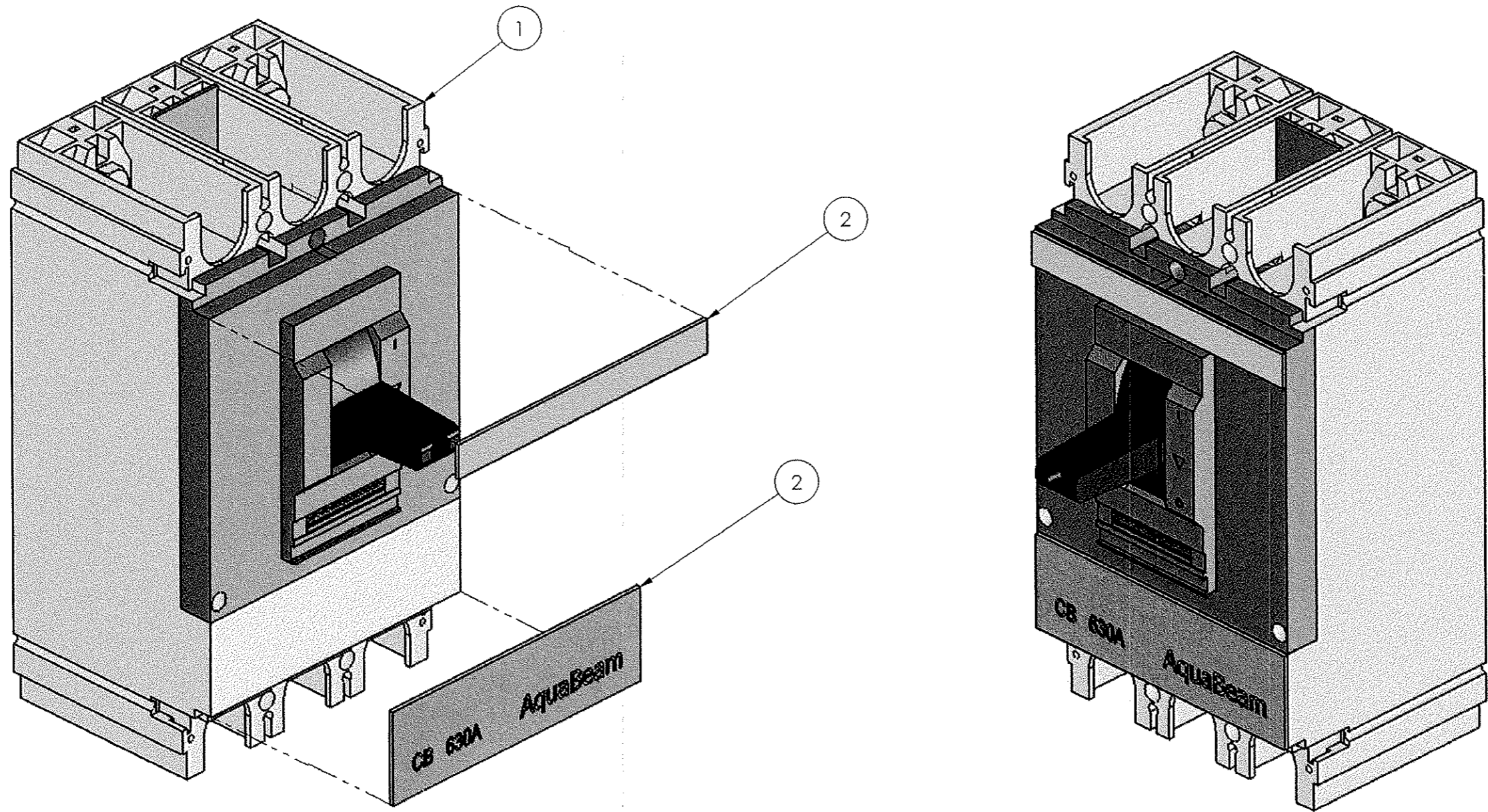


ITEM NO.	PART NUMBER	DESCRIPTION	QTY.
1	UL148300	Circuit Breaker, 630A	1
2	UL148301	Label Set	1



THIRD ANGLE PROJECTION 		MATERIAL: SEE BILL OF MATERIALS				FINISH: -				DIVEX OWNS THE COPYRIGHT OF THIS DOCUMENT AND ANY DESIGN RIGHT EMBODIED HEREIN. IT IS SUPPLIED IN CONFIDENCE AND MUST NOT BE USED FOR ANY PURPOSE OTHER THAN THAT FOR WHICH IT IS SUPPLIED AND MUST NOT BE REPRODUCED WITHOUT PERMISSION IN WRITING FROM THE OWNERS			 DIVEX LIMITED ENTERPRISE DRIVE WESTHILL ABERDEEN, AB32 6TQ UNITED KINGDOM. TEL: +44 (0)1224 740145 FAX: +44 (0)1224 740172 email: info@divex.co.uk www.divex.co.uk		A3
ALL DIMENSIONS IN MM (UOS)										SCALE	PRODUCT	TITLE CIRCUIT BREAKER, 630A			
ALL DIMENSIONS BEFORE PLATING (UOS)										1:2	ULTRATHERMICS				
REMOVE SHARP EDGES & BURRS										PART No.		DRG No. UL148			
DIMENSIONAL TOLERANCES: NO DECIMAL PLACES ±1.0 ONE DECIMAL PLACE ±0.2 TWO DECIMAL PLACES ±0.05 ANGULAR TOLERANCE ±0.5°										UL148					
0	ISSUED FOR MANUFACTURE	N/A	GR	01.12.04	Jwy	1.12.04	Wjw	1.12.04	Wjw	1.12.04	CAD REF No.	UL148S1	UL148	SHT 1 REV 0	
REV	DESCRIPTION OF REVISION	ECN	DRAWN BY	DATE	DRAFTING CHECK BY	DATE	ENGINEER CHECK BY	DATE	APPROVAL BY	DATE					

87170