

CENTRE OF GRAVITY COORDINATES (COG)			
I.D.	X	Y	Z
COG	296	253	26

GENERAL / INFORMATION

UNIT WEIGHT (DRY)

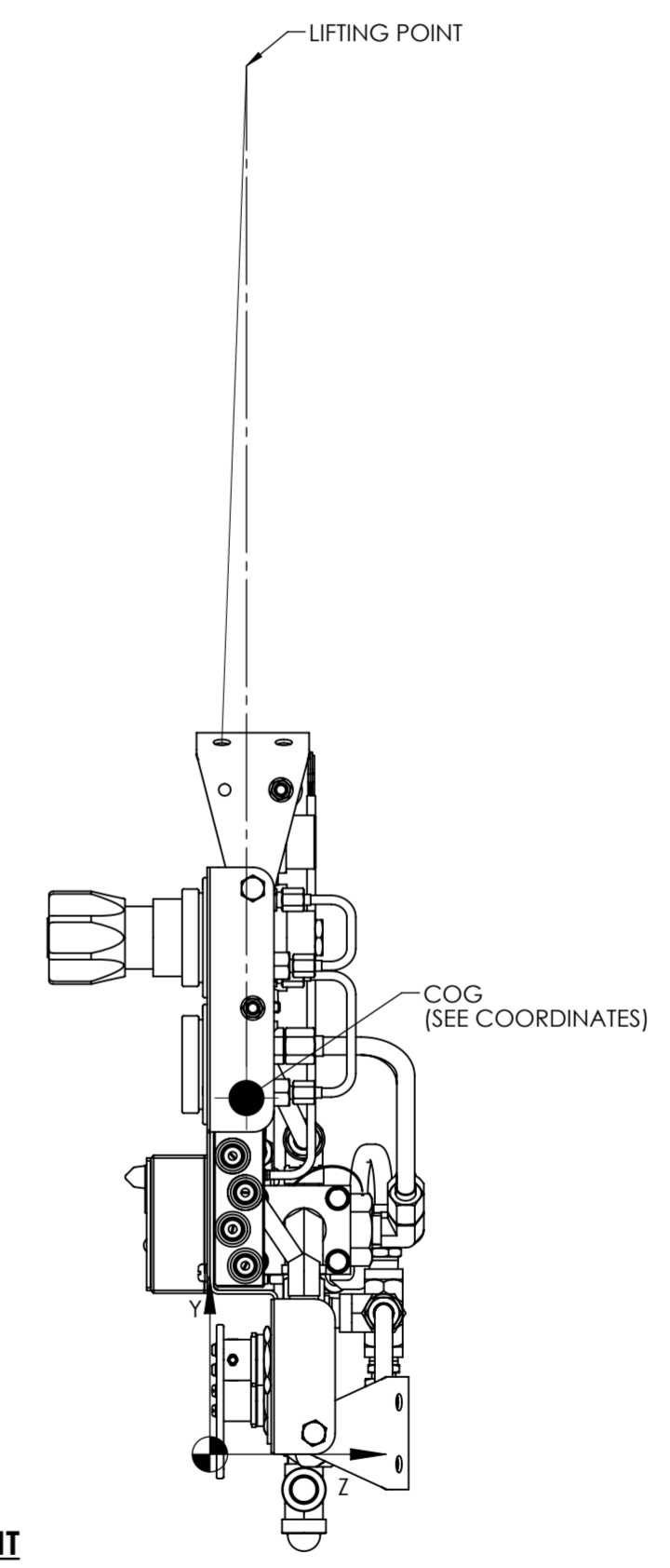
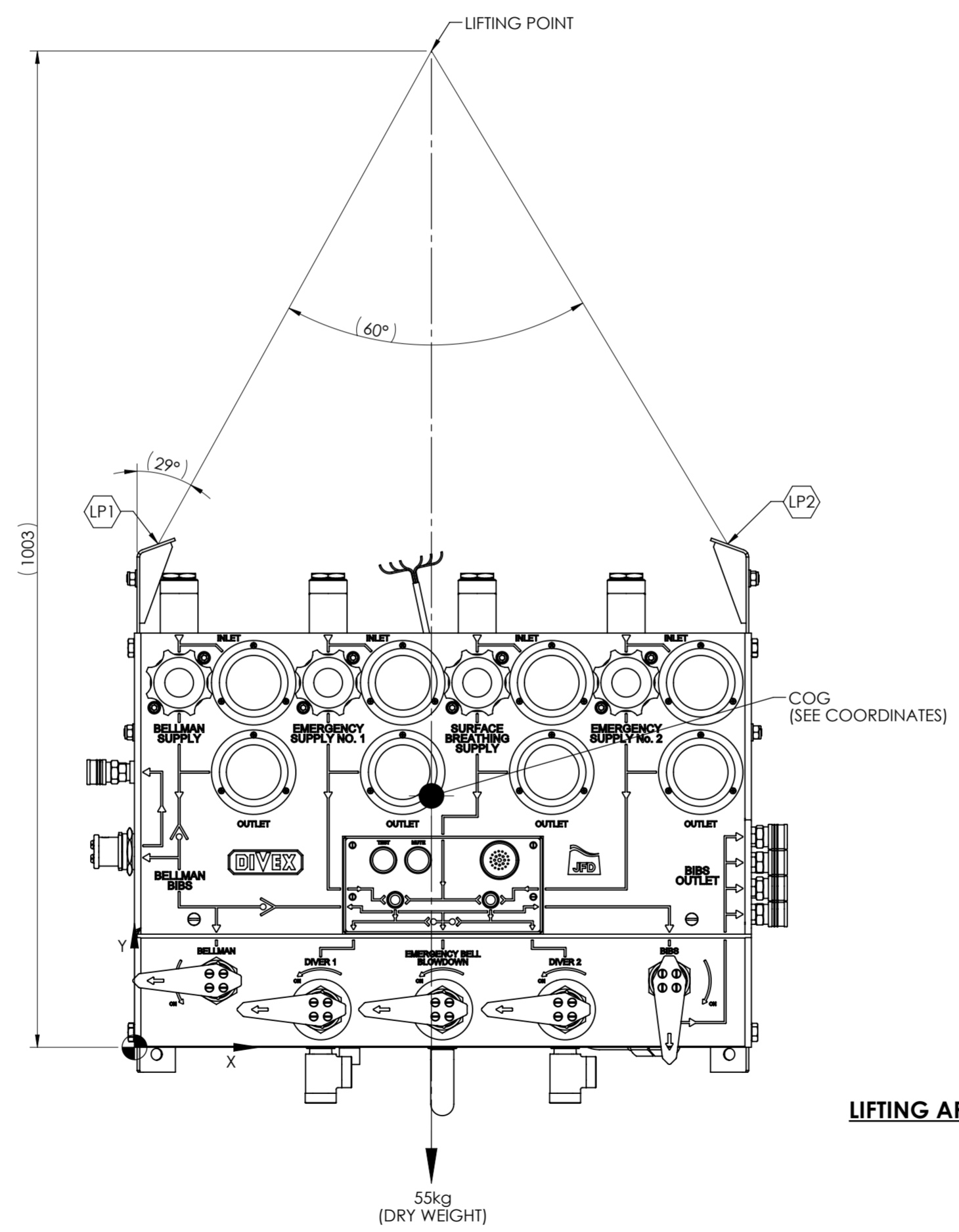
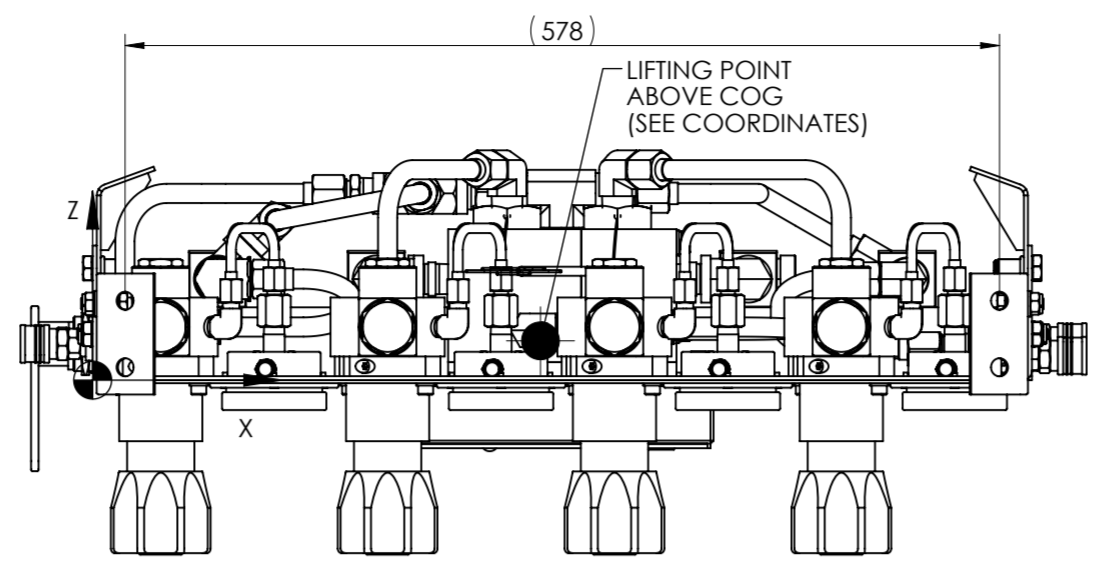
1 APPROX. 55kg (121lbs)

LEGEND

- DATUM
- CENTRE OF GRAVITY (COG)

LIFT POINTS

- LOCAL DEDICATED LIFT POINTS



LIFTING ARRANGEMENT

NOTES:

MATERIAL	N/A
FINISH	N/A
ALL DIMENSIONS ARE IN mm (UOS) ALL DIMENSIONS BEFORE PLATING (UOS) REMOVE ALL SHARP EDGES AND BURRS	
MACHINING TOLERANCE	FABRICATION TOLERANCE
NO DECIMAL PLACE ±1.0	>0 <100 ±0.5
ONE DECIMAL PLACE ±0.2	>100 <500 ±1.5
TWO DECIMAL PLACE ±0.05	>500 ±3.0
ANGULAR TOLERANCE ±0.5°	

REV	DESCRIPTION	ECN	BY	DATE	AUTH.
R03					
R02					
R01	ADDED ALARM CABLE TO MODEL	22267	JR	28/03/18	JM
R00	ISSUED FOR MANUFACTURE		JR	22/03/18	PB

THIRD ANGLE PROJECTION

DO NOT SCALE DRAWING

JFD OWNS THE COPYRIGHT OF THIS DOCUMENT AND ANY DESIGN RIGHT HEREIN. IT IS SUPPLIED IN CONFIDENCE AND MUST NOT BE USED FOR ANY PURPOSE OTHER THAN THAT FOR WHICH IT IS SUPPLIED AND MUST NOT BE REPRODUCED WITHOUT PERMISSION IN WRITING FROM THE OWNERS.

PANEL, GAS MANAGEMENT, BELL, 3 DIVER, AV ALARM

DRAWING NO. **GA1009999S2** REV **R01**

PART NO. **A46983AB** PRODUCT / PROJECT No. **GA100**

SIZE **A2** SCALE (UOS) **1:5** SHEET **2 of 2**

JFD WESTHILL
ENTERPRISE DRIVE,
WESTHILL, ABERDEEN,
AB32 6TQ, UK

TEL: +44 (0)1224 740145
E: enquires@jfdglobal.com
W: jfdglobal.com