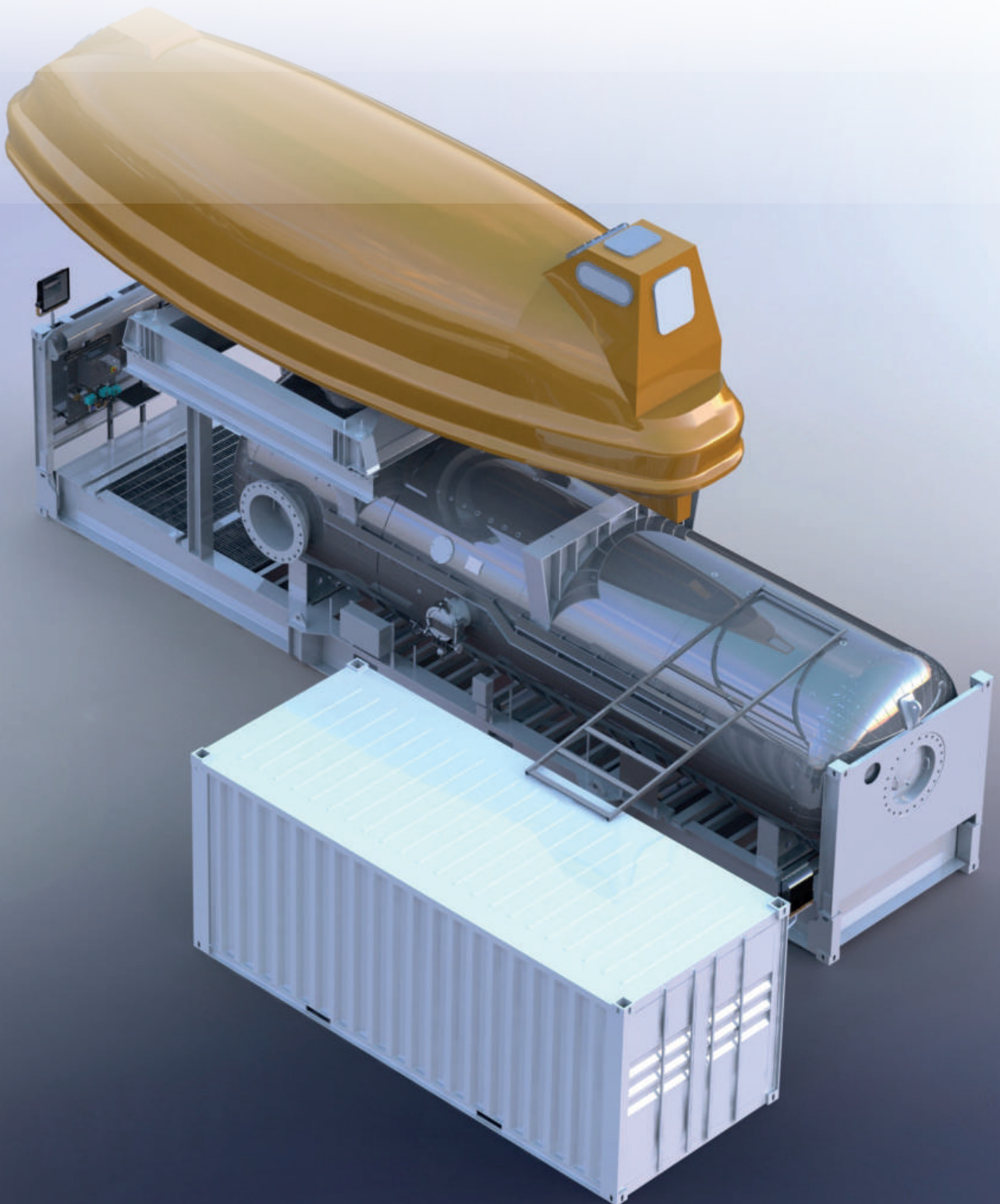




# Portable HRF

(Hyperbaric Reception Facility)



## INTRODUCTION

JFD's National Hyperbaric Centre in Aberdeen is pleased to announce that the company can now offer clients access to an IMCA compliant 18-man Portable Hyperbaric Reception Facility (HRF) to accommodate divers evacuated from a diving system by means of a Self Propelled Hyperbaric Lifeboat (SPHL) or Hyperbaric Rescue Chamber (HRC). The HRF system was recently completed by JFD, is Lloyds classed, and meets all current IMCA guidelines.

The HRF is designed to mate to a recovered SPHL or HRC allowing the divers to transfer under pressure to the HRF chamber for decompression.

## DESCRIPTION

DDC1 (12.17m (L)) is a twinlock skid mounted and enclosed saturation living chamber consisting of the main lock (ML) and entry lock (EL). DDC1 has a depth capacity of 300m and allows habitation for up to 18 rescued divers and a medical attendant if required.

Weight:

- 40ft flat rack with DDC: 32te
- Control Cab Container: 12te

## CONFIGURATION

The HRF system is designed to be mated to a bottom or side-mated SPHL, or a side-mated HRC. Possible configurations are shown below.

JFD hold Lloyds approved forgings and plate in stock to allow suitable spoolpieces and clamps to be rapidly fabricated to suit clients particular hyperbaric evacuation chambers.

## CONFIGURATION

- Chamber designed under PD5500 pressure vessel design code, and manufactured under full Lloyds survey
- Viewports designed and certified to ASME PVHO-1-2007
- Full Lloyds design review and manufacture certification to Lloyds Rules for Submersibles and Diving Systems July 2016
- Compliant to IMCA D024 Design for Saturation Diving Systems (Bell) July 2014 (where appropriate)
- Compliant to IMCA D053 Design for the hyperbaric reception facility (HRF) forming part of a hyperbaric evacuation system (HES) April 2014
- Full system certification and manual package
- All electrical wiring to Australian Standards

## TRANSPORTABILITY

The control container is a DNV 2.7-1 offshore rated container. The chamber is mounted in a 40ft modified ISO flatrack for ease of transportation.

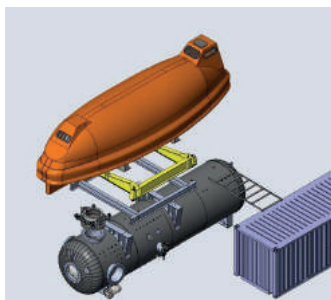
## SCOPE OF SUPPLY

The scope of supply includes:-

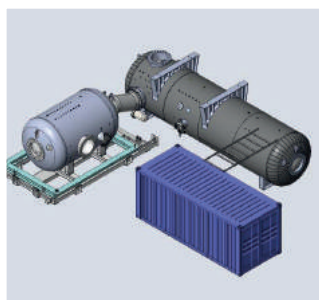
- HRF Chamber and flatrack skid fully outfitted
- HRF Control van complete
- Interconnecting hoses and cables
- Certification and manual package

The scope of supply excludes:-

- Manufacture of spoolpieces and clamps to suit client
- Hyperbaric Evacuation Chamber / SPHL
- Manufacture of reception skid if required to suit client Hyperbaric Evacuation Chamber / SPHL



Bottom mate SPHL



Side mate HRC



Chamber interior



Control Room