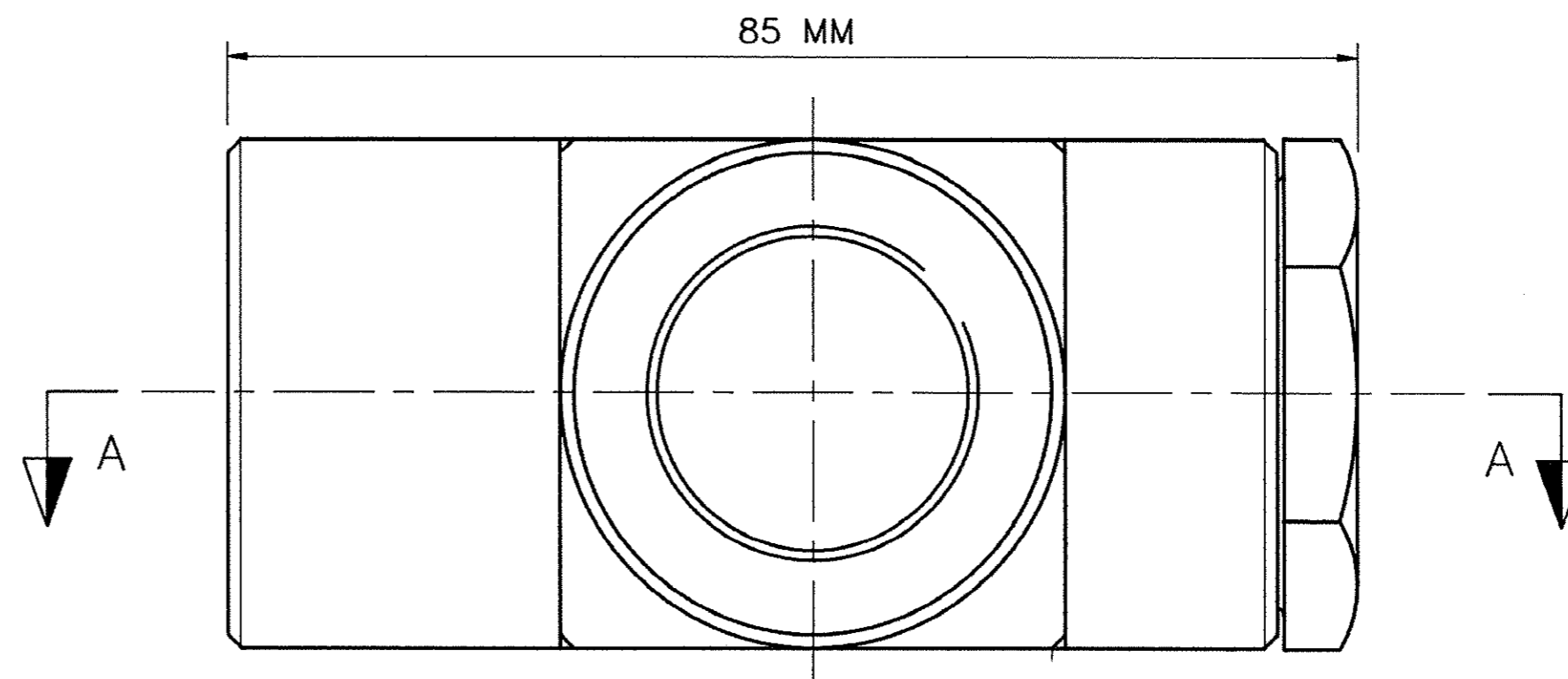
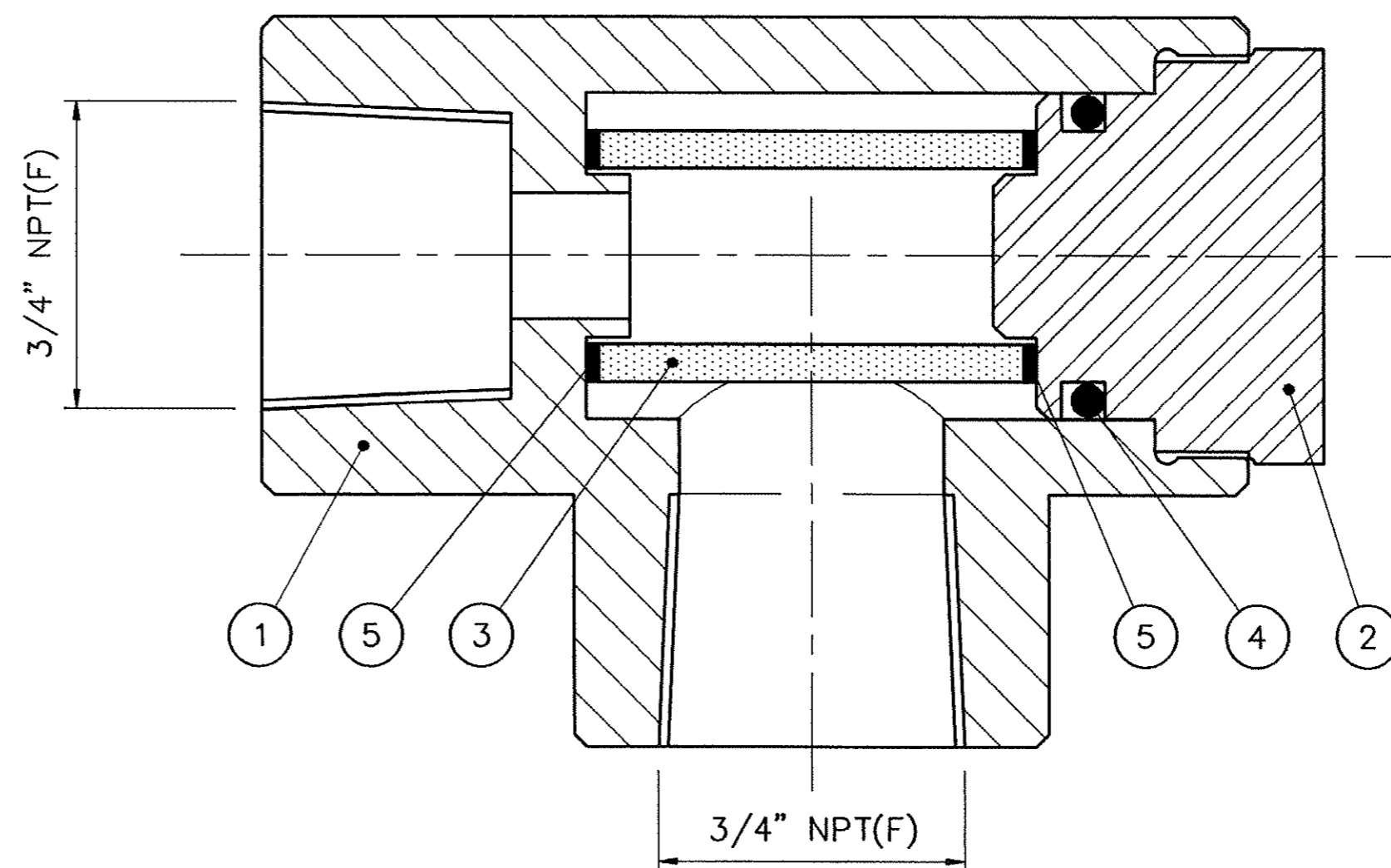


END ELEVATION



ELEVATION



SECTION 'A'-'A'

A2

NOTES

MTO : AAG03-MT-001
TOTAL WEIGHT = 860 GMS

REV.	DESCRIPTION OF REVISION	BY	DATE	CHKD	APPD
1	APPROVED FOR CONSTRUCTION	ML	30.5.89	<i>[Signature]</i>	<i>[Signature]</i>

MARA ENGINEERING LTD. OWNS THE COPYRIGHT OF THIS DOCUMENT AND ANY DESIGN RIGHT EMBODIED HEREIN. IT IS SUPPLIED IN CONFIDENCE AND MUST NOT BE USED FOR ANY PURPOSE OTHER THAN THAT FOR WHICH IT IS SUPPLIED AND MUST NOT BE REPRODUCED WITHOUT PERMISSION IN WRITING FROM THE OWNERS.

PROJECT

CLIENT

SCALE
2:1

CAD REF No
1660-1

PART No

DRAWN	ML
DATE	30.5.89
CHECKED	<i>[Signature]</i>
DATE	1/6/89
APPROVED	<i>[Signature]</i>
DATE	1/6/89

MARA ENGINEERING LTD

TITLE
MODEL AAG03 FILTER
GENERAL ARRANGEMENT

DRAWING No	SHT. OF	REV.
AAG03-DG-001	1 1	1

AAG03-DG-001