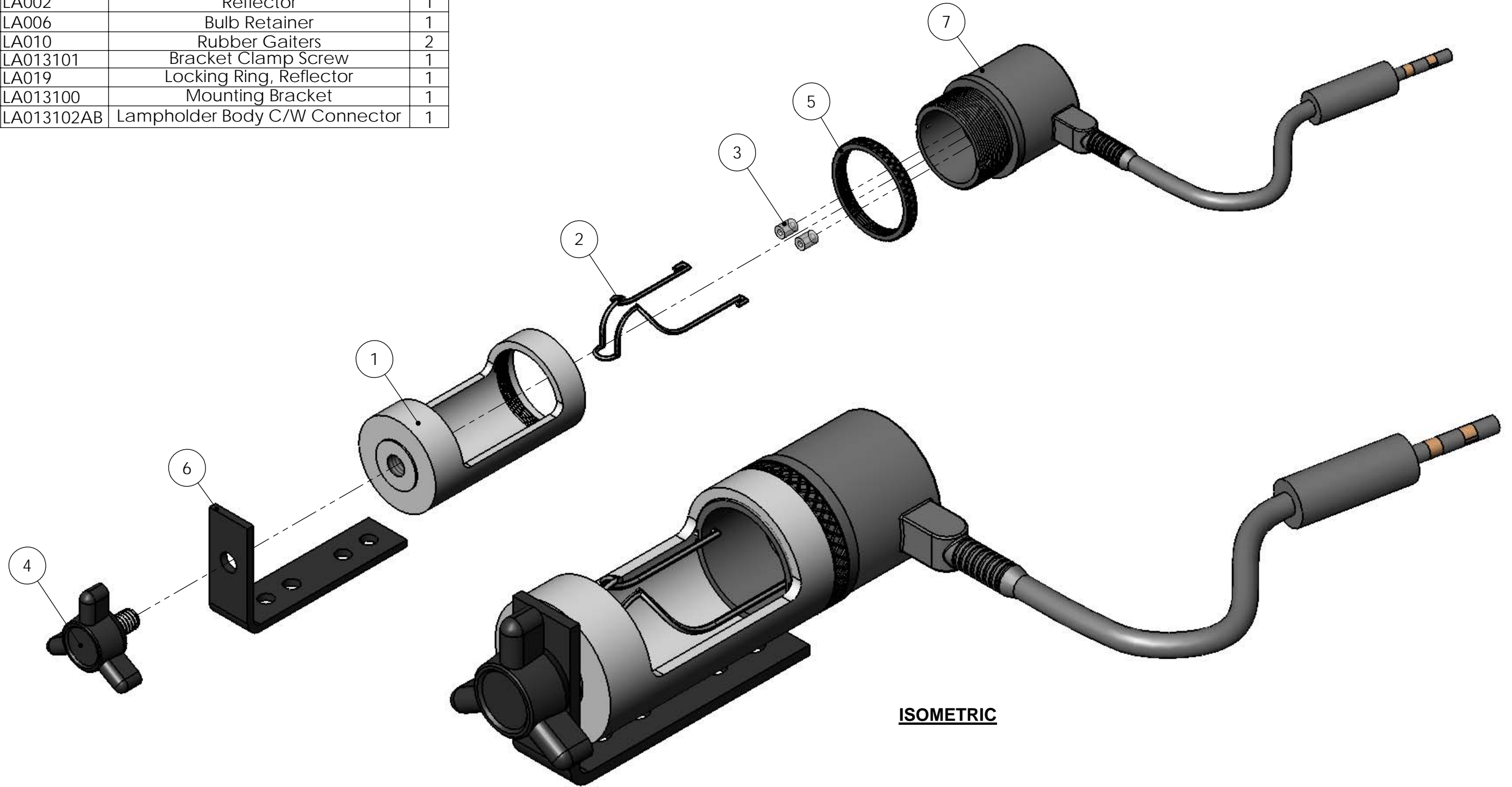



ITEM No.	PART No.	DESCRIPTION	Qty.
1	LA002	Reflector	1
2	LA006	Bulb Retainer	1
3	LA010	Rubber Gaiters	2
4	LA013101	Bracket Clamp Screw	1
5	LA019	Locking Ring, Reflector	1
6	LA013100	Mounting Bracket	1
7	LA013102AB	Lampholder Body C/W Connector	1



ISOMETRIC

		MATERIAL:		DIVEX OWNS THE COPYRIGHT OF THIS DOCUMENT AND ANY DESIGN RIGHT EMBODIED HEREIN. IT IS SUPPLIED IN CONFIDENCE AND MUST NOT BE USED FOR ANY PURPOSE OTHER THAN THAT FOR WHICH IT IS SUPPLIED AND MUST NOT BE REPRODUCED WITHOUT PERMISSION IN WRITING FROM THE OWNERS		 DIVEX LIMITED ENTERPRISE DRIVE WESTHILL ABERDEEN, AB32 6TQ UNITED KINGDOM.		TEL : +44 (0)1224 740145 FAX : +44 (0)1224 740172 email : info@divex.co.uk www.divex.co.uk		A3	
		SEE PARTS LIST		ALL DIMENSIONS IN MM (UOS)		SCALE		PRODUCT		TITLE	
				ALL DIMENSIONS BEFORE PLATING (UOS)		NTS		AQUABEAM		LIGHT, MINILUX C/W CONNECTOR	
R00		ISSUED FOR MANUFACTURE		FINISH:		PART No.		LA013		DRG No.	
REV		DESCRIPTION OF REVISION		-		REMOVE SHARP EDGES & BURRS		DRAWN BY		SHEET	
		ECN				DIMENSIONAL TOLERANCES: NO DECIMAL PLACES ± 1.0 ONE DECIMAL PLACE ± 0.2 TWO DECIMAL PLACES ± 0.05 ANGULAR TOLERANCE $\pm 0.5^\circ$		N.Duncan		1 of 1	
								DATE		REV	
								31/08/2006		R00	



DO NOT SCALE DRAWING